



XPLORA 707 X NEGRA 2026

Exploded



HANDLEBAR



FRONT FORK ASSY.



FRONT WHEEL ASSY.



BRAKE ASSY.



EXHAUST SYSTEM



INTAKE ASSY.



FUEL TANK ASSY



REAR SWING ARM ASSEMBLY



REAR WHEEL ASSY.



CENTRAL CHASSIS ASSEMBLY



FRONT CHASSIS ASSEMBLY



REAR CHASSIS ASSY.



SIDE STAND



CENTRAL STAND



LEFT FOOTREST ASSY.



RIGHT FOOTREST ASSEMBLY



BRAKE PEDAL ASSY.



FRONT MUDGUARD ASSY.



WINDSHIELD ASSY.



FRONT COVERS ASSY.



FRONT SIDE COVERS ASSY.



FUEL TANK COVER ASSEMBLY



RADIATOR CAP SET



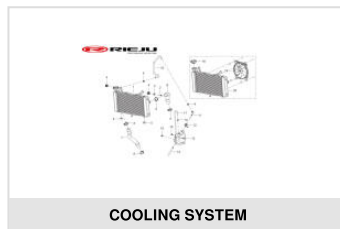
CENTRAL CHASSIS COVER



SIDE COVER ASSY.



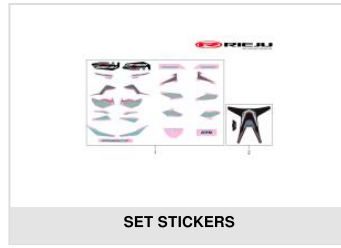
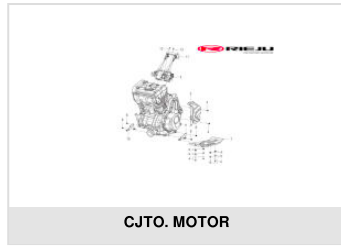
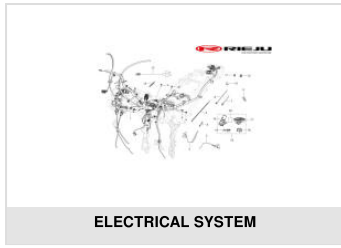
REAR MUDGUARD ASSY.



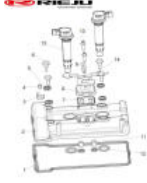

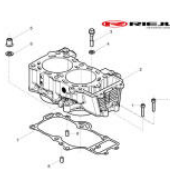
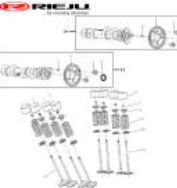

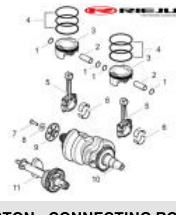
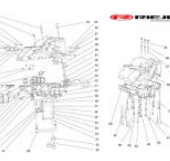




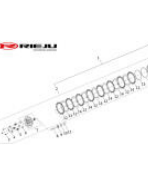
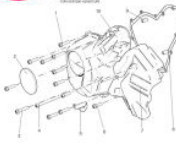
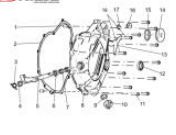
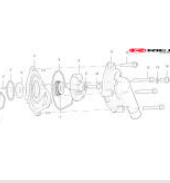



COOLING SYSTEM



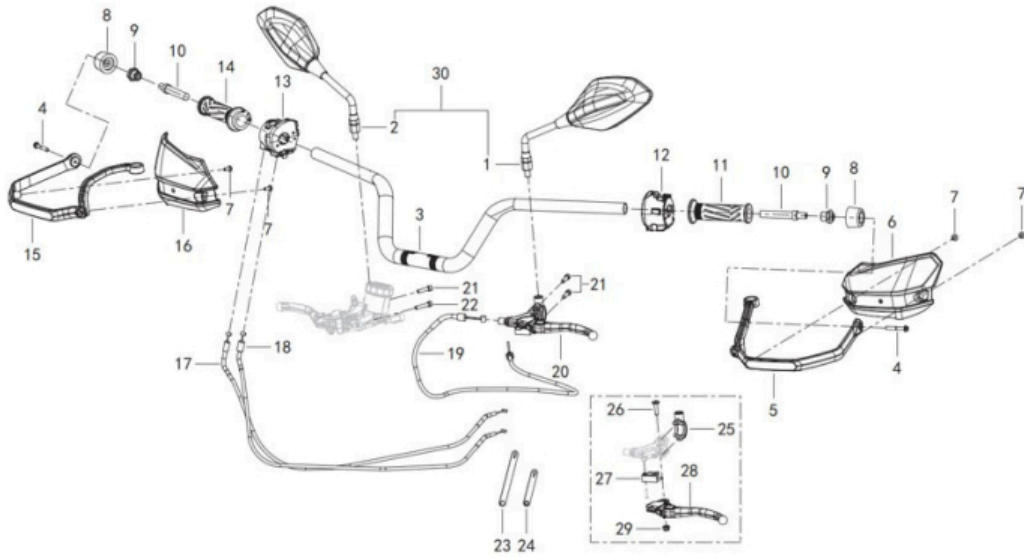
ELECTRICAL COMPONENTS



MOTOR XPLORA 707

 <p>ROCKER ARM COVER ASSY.</p>	 <p>CYLINDER-HEAD</p>	 <p>CYLINDER CRANKCASE</p>	 <p>AZIONAMENTO DELLA VALVOLA</p>
 <p>DISTRIBUTION CHAIN ASSEMBLY</p>	 <p>PISTON - CONNECTING ROD - CRANKSHAFT ASSEMBLY</p>	 <p>CRANKCASE ASSEMBLY</p>	 <p>GEAR SHIFT ASSEMBLY</p>
 <p>OIL PAN</p>	 <p>CURRENT GENERATION</p>	 <p>ELECTRIC START</p>	 <p>CLUTCH SYSTEM</p>
 <p>LEFT COVER ASSEMBLY</p>	 <p>RIGHT COVER ASSEMBLY</p>	 <p>COOLING SYSTEM</p>	 <p>OIL PUMP ASSY.</p>
 <p>THROTTLE BODY</p>	 <p>COMPLETE ENGINE</p>		

HANDLEBAR

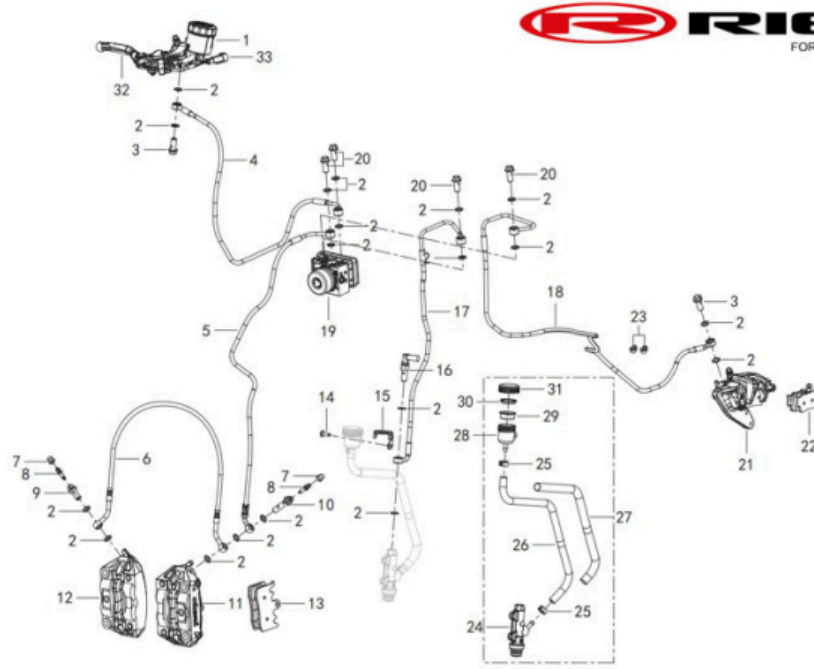


1	LEFT MIRROR 0/000.990.4601 (u. 1)
2	REARVIEW MIRROR RH 0/000.990.4602 (u. 1)
3	HANDLEBAR XPLORA 0/000.170.4601 (u. 1)
4	HEXAGON SOCKET HEAD SCREW M6x40 0/000.460.46076 (u. 2)
5	HANDGUARD SUPPORT LH 0/000.980.4608 (u. 1)
6	HANDGUARD LH 0/000.770.4601 (u. 1)
7	TORX SCREW WITH WASHER M5x12 BLACK ZINC 0/000.460.46002 (u. 4)
8	HANDLEBAR WEIGHT 0/000.170.4602 (u. 2)
9	HANDLEBAR END WEIGHT NUT 0/000.340.46003 (u. 2)
10	HANDLEBAR COUNTERWEIGHT AXLE 0/000.190.4602 (u. 2)
11	LEFT HANDLE GRIP 0/000.530.4601 (u. 1)
12	COMBINED LH SWITCH 0/000.720.4601 (u. 1)
13	RIGHT COMBINATION SWITCH 0/000.720.4603 (u. 1)
14	RH GRIP 0/000.530.4602 (u. 1)
15	HANDGUARD BRACKET RH 0/000.980.4609 (u. 1)
16	HANDGUARDS RH 0/000.770.4602 (u. 1)
17	THROTTLE LINE COMPONENT I 0/000.550.4605 (u. 1)

18	THROTTLE LINE COMPONENT II 0/000.550.4606 (u. 1)
19	CLUTCH LINE COMPONENT 0/000.550.4607 (u. 1)
20	CLUTCH LEVER SET 0/000.830.4604 (u. 1)
21	TORX CYLINDRICAL HEAD SCREW M6x25 0/000.460.46111 (u. 3)
22	TORX CYLINDRICAL HEAD SCREW M6x30 0/000.460.46112 (u. 1)
23	RUBBER CLAMP FOR CABLE FIXATION 0/000.680.4623 (u. 2)
24	CABLE CLAMP RUBBER 1 0/000.680.4614 (u. 3)
25	CLUTCH LEVER SUPPORT 0/000.980.4610 (u. 1)
26	CLUTCH LEVER SCREW 0/000.460.46015 (u. 1)
27	CLUTCH SWITCH 0/001.200.4609 (u. 1)
28	CLUTCH LEVER 0/000.830.4602 (u. 1)
29	SELF-LOCKING NUT M6 0/000.340.46004 (u. 1)
30	SET REARVIEW MIRRORS 0/000.990.4603 (u. 1)

18	STEERING AXLE + WASHER 0/000.190.4604 (u. 1)
19	LOWER TRIPLE CLAMP 0/000.660.4603 (u. 1)
20	TORX CYLINDRICAL HEAD SCREW M6x25 0/000.460.46111 (u. 6)
21	SCREW M6X8 0/000.460.46120 (u. 2)
22	GASKET Ø6 0/000.490.4609 (u. 2)
23	SPRING WASHER M6 0/000.440.46004 (u. 2)
24	LOWER FENDER STEERING PLATE 0/000.570.4603 (u. 1)
25	FLAT TORX SCREW WITH CENTERING M6x15 0/000.460.46037 (u. 2)
26	PLASTIC FIXING O-RING 0/000.490.4615 (u. 2)
27	FRONT LEFT SHOCK ABSORBER COMPONENT 0/000.130.4603 (u. 1)
28	FRONT RIGHT SHOCK ABSORBER COMPONENT 0/000.130.4604 (u. 1)
29	TORX CYLINDRICAL HEAD SCREW M6x30 0/000.460.46112 (u. 2)
30	SCREW M10x1.25x55 0/000.460.46017 (u. 4)
31	FRONT/REAR WHEEL SPEED SENSOR 0/001.010.4609 (u. 1)
32	SPEED SENSOR GASKET 0/000.490.4610 (u. 3)
33	TORX CYLINDRICAL HEAD SCREW M6x16 0/000.460.46109 (u. 1)
34	OIL SEAL FORK 0/000.300.4604 (u. 2)
35	LOWER FORK DUST COVER 0/000.200.4602 (u. 2)
36	UPPER FORK CAP 0/000.410.4603 (u. 2)
37	UPPER FORK O-RING 0/000.490.4611 (u. 2)
38	COMPLETE LOWER TRIPLE CLAMP 0/000.660.4601 (u. 1)

BRAKE ASSY.



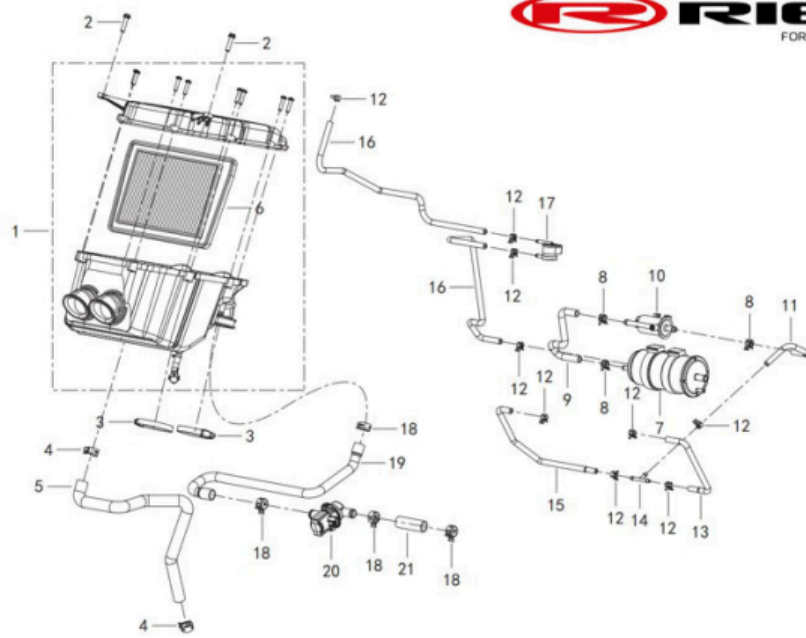
1	FRONT OIL PUMP BODY COMPONENT 0/000.820.4603 (u. 1)
2	COPPER WASHER BRAKE SYSTEM 0/000.440.46005 (u. 19)
3	BRAKE FITTING SCREW 0/000.460.46018 (u. 2)
4	FRONT FLUID BRAKE OIL PIPE ASSEMBLY I 0/000.290.4635 (u. 1)
5	FRONT FLUID BRAKE OIL PIPE ASSEMBLY II 0/000.290.4636 (u. 1)
6	FRONT CALIPER UNION PIPE 0/000.290.4610 (u. 1)
7	BLEEDER SCREW BRAKE CALIPER 0/000.410.4604 (u. 2)
8	BRAKE CALIPER BLEEDER 0/000.410.4605 (u. 2)
9	BRAKE CALIPER CONNECTOR SCREW 2 0/000.460.46020 (u. 1)
10	BRAKE CALIPER CONNECTOR SCREW 1 0/000.460.46019 (u. 1)
11	FRONT LEFT BRAKE CYLINDER ASSEMBLY 0/000.860.4608 (u. 1)
12	FRONT RIGHT BRAKE CYLINDER ASSEMBLY 0/000.860.4609 (u. 1)
13	FRONT BRAKE PADS 707 0/000.930.4601 (u. 2)
14	TORX SCREW WITH WASHER M5x16 BLACK ZINC 0/000.460.46003 (u. 1)
15	REAR BRAKE FLUID RESERVOIR CAP PROTECTOR 0/000.350.4605 (u. 1)
16	REAR BRAKE SWITCH 0/001.200.4610 (u. 1)
17	REAR FLUID BRAKE OIL PIPE ASSEMBLY I 0/000.290.4638 (u. 1)

18	REAR FLUID BRAKE OIL PIPE ASSEMBLY II 0/000.290.4639 (u. 1)
19	DUAL CHANNEL ABS ASSEMBLY 0/000.640.4612 (u. 1)
20	SCREW CONNECTOR ABS MODULE 0/000.460.46021 (u. 4)
21	REAR BRAKE CYLINDER ASSEMBLY 0/000.980.4648 (u. 1)
22	REAR BRAKE PADS XP 0/000.930.4602 (u. 1)
23	HOSE CLIP 0/000.630.4603 (u. 5)
24	REAR OIL PUMP BODY COMPONENT 0/000.820.4604 (u. 1)
25	CLAMP F 10 0/000.680.4624 (u. 2)
26	OIL CUP HOSE 0/000.290.4637 (u. 1)
27	OIL PIPE PROTECTION SPRING 0/000.470.4613 (u. 1)
28	OIL CUP 0/000.030.4603 (u. 1)
29	OIL CUP PAD 0/000.410.4640 (u. 1)
30	OIL CUP LINER 0/000.490.4678 (u. 1)
31	OIL CUP COVER 0/000.410.4641 (u. 1)
32	FRONT BRAKE LEVER 0/000.830.4601 (u. 1)
33	FRONT BRAKE SWITCH ASSEMBLY 0/001.200.4613 (u. 1)

18

BUSHING Ø7xØ9x6.5
0/000.480.4655 (u. 1)

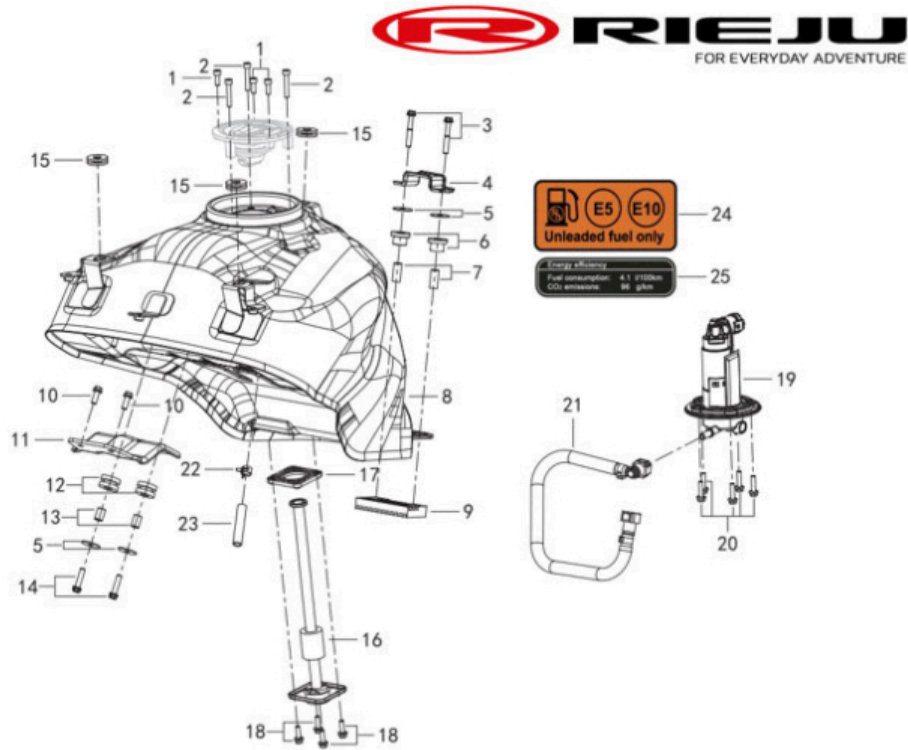
INTAKE ASSY.



1	AIR FILTER COMPONENT 0/000.910.4602 (u. 1)
2	INTERNAL HEXAGONAL SCREW M6x25 0/000.460.46073 (u. 2)
3	WORM GEAR CLAMP 40-60 0/000.680.4606 (u. 2)
4	CLAMP Ø18.5 0/000.680.4607 (u. 2)
5	EXHAUST GAS RECOVERY PIPE 0/000.290.4641 (u. 1)
6	FILTER ELEMENT COMPONENT 0/001.070.4604 (u. 1)
7	CANISTER VALVE 0/000.640.4605 (u. 1)
8	CLAMP Ø11 0/000.680.4610 (u. 3)
9	CARBON CANISTER AND SOLENOID VALVE CONNECTING PIPE 0/000.290.4644 (u. 1)
10	SOLENOID VALVE CANISTER 0/000.640.4607 (u. 1)
11	CONNECTING PIPE BETWEEN SOLENOID VALVE AND THROTTLE BODY 0/000.290.4645 (u. 1)
12	CLAMP Ø8 0/000.680.4609 (u. 9)
13	CONNECTING PIPE II BETWEEN SOLENOID VALVE AND THROTTLE BODY 0/000.290.4646 (u. 1)
14	THREE-WAY PIPE 0/000.290.4649 (u. 1)
15	CONNECTING PIPE III BETWEEN SOLENOID VALVE AND THROTTLE BODY 0/000.290.4647 (u. 1)
16	CANISTER TUBE TO DISCHARGE VALVE 0/000.290.4617 (u. 2)
17	UNIDIRECTIONAL VALVE COMPONENT 0/000.290.4648 (u. 1)

18	PIPE CLAMP F 17.5 × 10 × 1 0/000.680.4625 (u. 4)
19	CONNECTING PIPE BETWEEN AIR SUPPLY VALVE AND AIR FILTER 0/000.290.4643 (u. 1)
20	AIS SOLENOID VALVE 0/000.640.4602 (u. 1)
21	AIR SUPPLY VALVE AND CYLINDER HEAD CONNECTING PIPE 0/000.290.4642 (u. 1)

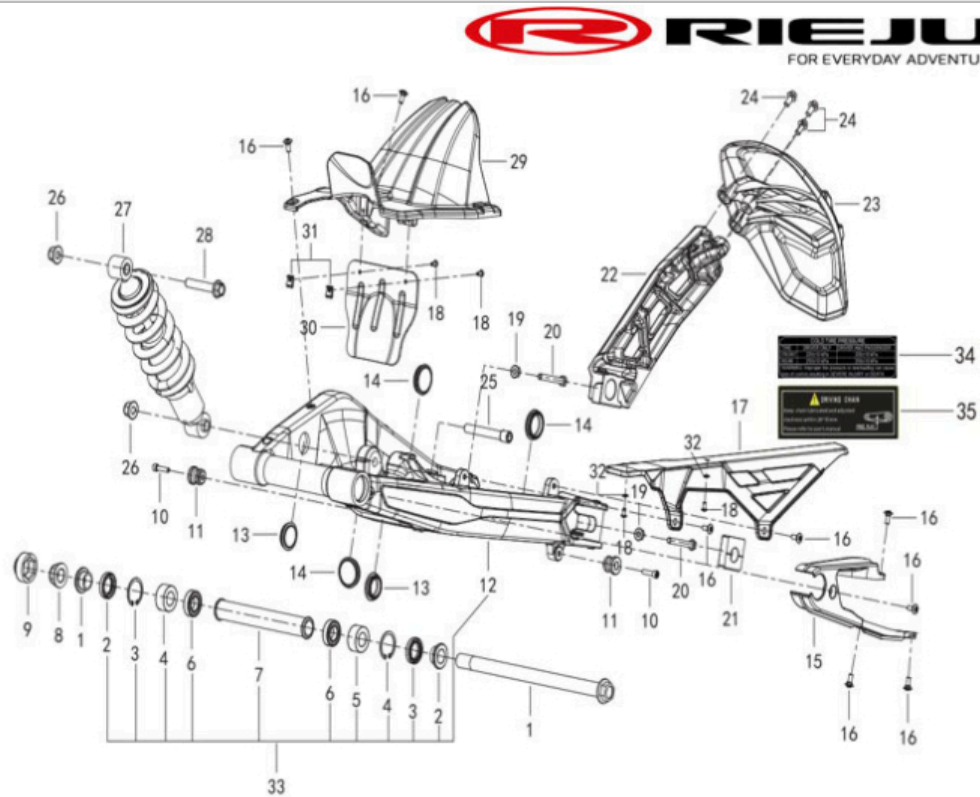
FUEL TANK ASSY



1	TORX CYLINDRICAL HEAD SCREW M5x14 0/000.460.46106 (u. 3)
2	TORX SCREW CYLINDRICAL HEAD M5x30 0/000.460.46108 (u. 3)
3	HEXAGON SOCKET HEAD SCREW M6x40 0/000.460.46076 (u. 2)
4	SEAT MOUNTING BRACKET 0/000.980.4614 (u. 1)
5	TANK MOUNTING BRACKET GASKET 0/000.490.4607 (u. 4)
6	SILENTBLOCK FUEL TANK MOUNTING 0/000.360.4605 (u. 2)
7	TANK MOUNTING BUSHING 0/000.480.4608 (u. 2)
8	FUEL TANK 0/000.030.4602 (u. 1)
9	GAS TANK SUPPORT RUBBER 0/000.360.4608 (u. 1)
10	INTERNAL HEXAGONAL SCREW M6x16 0/000.460.46071 (u. 2)
11	FRONT SUPPORT FUEL TANK 0/000.980.4615 (u. 1)
12	FRONT TANK MOUNT SILENTBLOCK 0/000.360.4606 (u. 2)
13	FRONT TANK MOUNTING BUSHING 0/000.480.4609 (u. 2)
14	INTERNAL HEXAGONAL SCREW M6x25 0/000.460.46073 (u. 2)
15	SILENTBLACK SUPERIOR FUEL TANK 0/000.360.4607 (u. 3)

16	FUEL LEVEL SENSOR 0/001.010.4606 (u. 1)
17	GASKET FUEL PUMP SENSOR 0/000.490.4606 (u. 1)
18	TORX HEXAGONAL SCREW WITH WASHER M5x16 0/000.460.46040 (u. 4)
19	FUEL PUMP 0/000.860.4610 (u. 1)
20	TORX HEXAGONAL SCREW WITH WASHER M5x20 0/000.460.46041 (u. 5)
21	HIGH PRESSURE OIL PIPE COMPONENT 0/000.290.4650 (u. 1)
22	CLAMP Ø11 0/000.680.4610 (u. 1)
23	FUEL TANK PIPE 0/000.290.4622 (u. 1)
24	CALCA GASOLINA RECOMENDADA 0/000.390.4605 (u. 1)
25	WHITE STICKER SET XPLORA 707 0/000.390.4606 (u. 1)

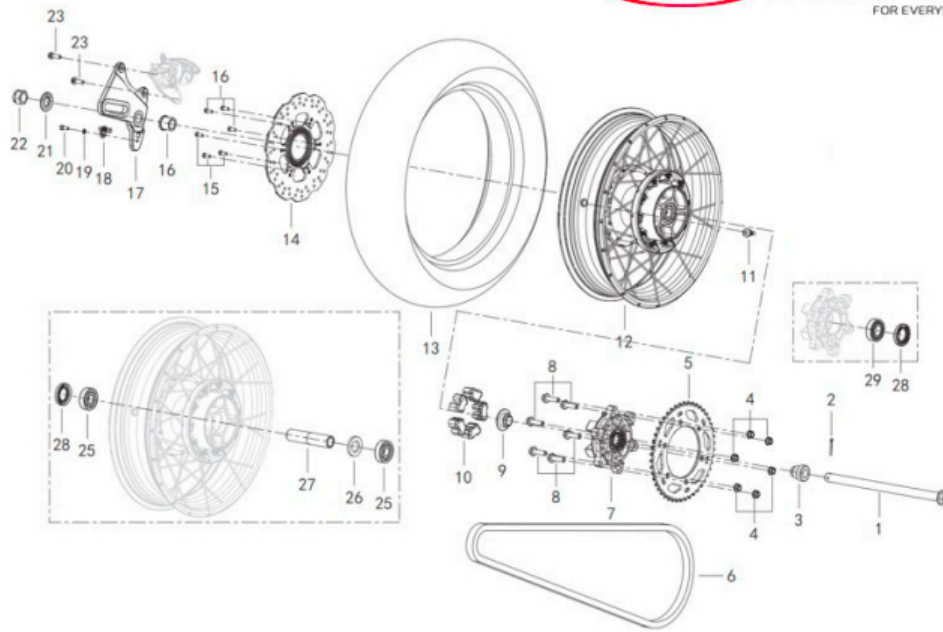
REAR SWING ARM ASSEMBLY



1	SWINGARM AXLE 0/000.190.4601 (u. 1)
2	SWINGARM AXLE SPACER 0/000.480.4611 (u. 2)
3	SWINGARM SHAFT SEAL 0/000.300.4606 (u. 2)
4	CIRCLIP Ø37 SWINGARM AXLE 0/000.300.4605 (u. 2)
5	NEEDLE BEARING SWINGARM AXLE 0/000.960.4604 (u. 2)
6	PIVOT SHAFT BEARING 0/000.960.4605 (u. 2)
7	INTERMEDIATE SWINGARM SPACER 0/000.480.4610 (u. 1)
8	SELF-LOCKING NUT M20x1.5 0/000.340.46001 (u. 1)
9	SWINGARM AXLE CAP 0/000.410.4601 (u. 1)
10	TORX CYLINDRICAL HEAD SCREW M6x25 0/000.460.46111 (u. 2)
11	SUPPORT BUSHING SWINGARM ARM 0/000.480.4612 (u. 2)
12	SWINGARM 0/000.020.4601 (u. 1)
13	SWINGARM CAP 0/000.410.4608 (u. 2)
14	SWINGARM CAP 2 0/000.410.4609 (u. 3)
15	CHAIN SLIDER RUBBER 0/000.360.4609 (u. 1)

16	FLAT TORX SCREW WITH CENTERING M6x15 0/000.460.46037 (u. 8)
17	CHAIN GUARD 0/000.350.4606 (u. 1)
18	PHILIPS SCREW PLASTIC THREAD 4.2x10 0/000.460.46121 (u. 4)
19	NUT M8 0/000.340.46018 (u. 2)
20	CHAIN TENSIONER SCREW M8 0/000.460.46006 (u. 2)
21	CHAIN TENSIONER BLOCK 0/000.380.4602 (u. 1)
22	REAR LOWER MUDGUARD BRACKET 0/000.980.4649 (u. 1)
23	LOWER REAR FENDER 0/000.060.4601 (u. 1)
24	TORX HEXAGONAL SCREW WITH WASHER M8x16 0/000.460.46046 (u. 3)
	TORN.ESP. DIN 6921 Hex.10 TX40 M8x16 Cal.10.9 GEOMET 0/000.460.9192 (u. 3)
	HEX SCREW WITH FLANGE EN 1665 - M8x16 (WHITE ZINC) 0/000.460.3871 (u. 3)
25	LOWER SHOCK ABSORBER BOLT 0/000.460.46023 (u. 1)
26	SELF-LOCKING NUT M12 0/000.340.46008 (u. 2)
27	REAR SHOCK ABSORBER COMPONENT 0/000.180.4602 (u. 1)
28	REAR SHOCK ABSORBER SCREW 0/000.460.46013 (u. 1)
29	INNER FENDER WHEEL ARCH 0/000.060.4602 (u. 1)
30	SHOCK ABSORBER PROTECTOR 0/000.360.4610 (u. 1)
31	QUICK NUT 4.2 0/000.340.46009 (u. 2)
32	WASHER Ø5 0/000.440.46007 (u. 2)
33	SET SWINGARM COMPONENTS 0/000.480.4602 (u. 1)
34	TIRE PRESSURE DECAL 0/000.390.4603 (u. 1)
35	CHAIN ADJUSTMENT DECAL 0/000.390.4604 (u. 1)

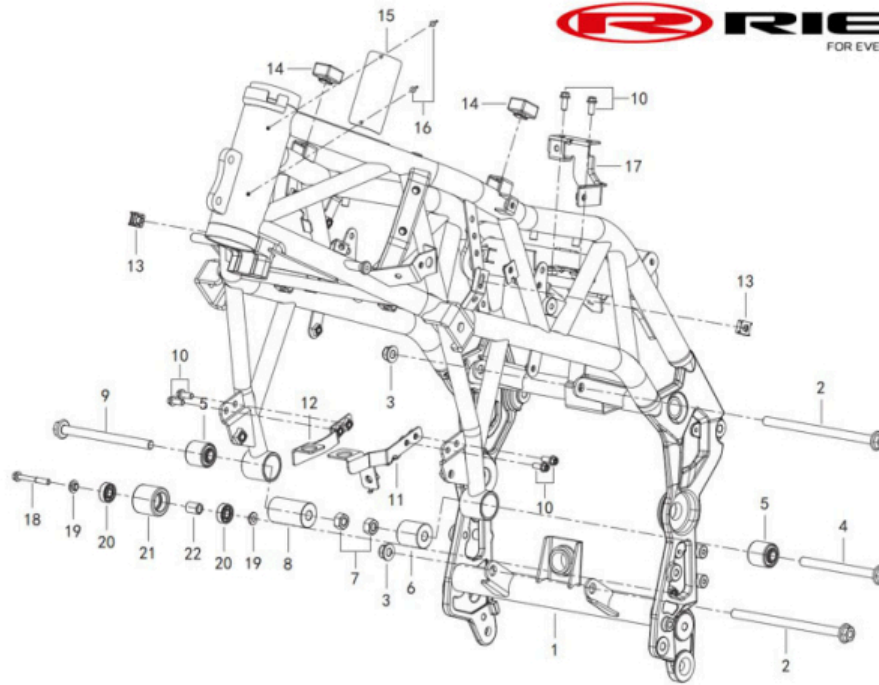
REAR WHEEL ASSY.



1	REAR WHEEL AXLE 0/000.190.4607 (u. 1)
2	SWINGARM AXLE PIN 0/000.840.4601 (u. 1)
3	LEFT REAR WHEEL AXLE SPACER 0/000.480.4603 (u. 1)
4	SELF-LOCKING NUT M10 x 1.25 0/000.340.46002 (u. 6)
5	CHAIN WHEEL 0/000.500.4602 (u. 1)
6	CHAIN 520VE-1 x 118 0/001.050.4604 (u. 1)
7	CHAIN WHEEL HUB COMBINATION 0/000.980.4650 (u. 1)
8	BOLT M10 x 1.25 x 35 0/000.460.46131 (u. 6)
9	REAR WHEEL AXLE BUSHING 0/000.480.4613 (u. 1)
10	SILENTBLOCK SPACER PLATE 0/000.360.4601 (u. 5)
11	TUBELESS VALVE XPLORA 0/000.640.4603 (u. 1)
12	REAR WHEEL RIM ASSEMBLY 0/000.230.4604 (u. 1)
13	OUTER TIRE 150/70R17 0/000.510.4604 (u. 1)
14	REAR BRAKE DISC ASSEMBLY 0/001.090.4606 (u. 1)
15	REAR DISC BRAKE FIXING SCREW 0/000.460.46024 (u. 6)
16	RH REAR WHEEL SPACER 0/000.480.4615 (u. 1)
17	REAR BRAKE CALIPER BRACKET 0/000.980.4618 (u. 1)

18	FRONT/REAR WHEEL SPEED SENSOR 0/001.010.4609 (u. 1)
19	SPEED SENSOR GASKET 0/000.490.4610 (u. 3)
20	TORX CYLINDRICAL HEAD SCREW M6x16 0/000.460.46109 (u. 1)
21	DENTED WASHER REAR WHEEL CALIPER 0/000.440.46002 (u. 1)
22	NUT REAR WHEEL SHAFT 0/000.340.46010 (u. 1)
23	TORX SCREW CONICAL HEAD WITH WASHER M8x25 0/000.460.46038 (u. 2)
25	REAR WHEEL BEARINGS 0/000.960.4602 (u. 2)
26	REAR MIDDLE SHAFT SLEEVE RETAINING RING 0/000.300.4618 (u. 1)
27	CENTRAL SEPARATOR REAR WHEEL AXLE 0/000.480.4614 (u. 1)
28	REAR WHEEL SEAL 0/000.300.4602 (u. 2)
29	REAR SPROCKET SUPPORT BEARING + SEAL 0/000.960.4606 (u. 1)

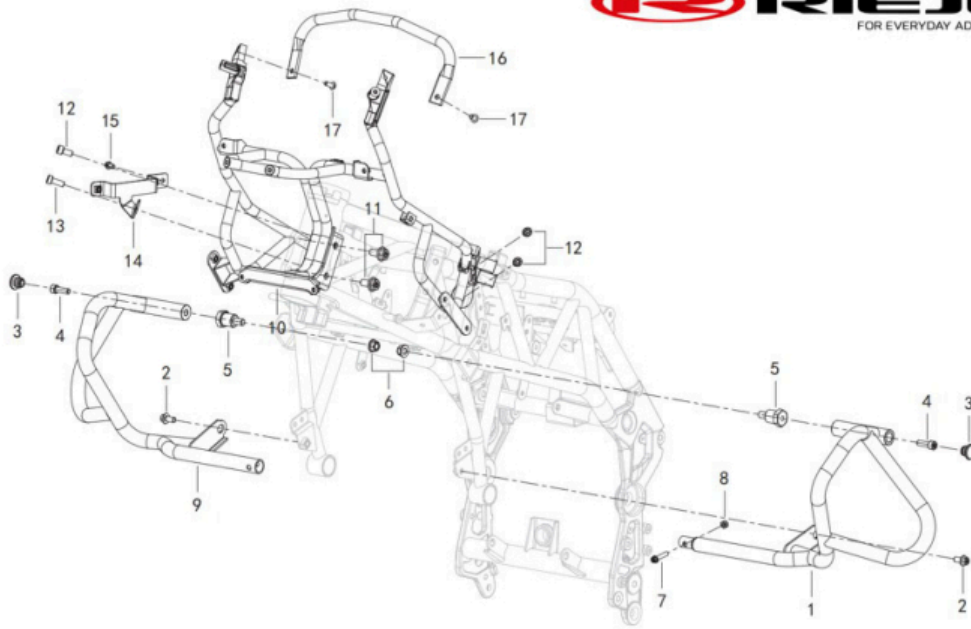
CENTRAL CHASSIS ASSEMBLY



1	FRONT FRAME WELDING COMPONENTS 0/000.010.4605 (u. 1)	
2	HEXAGONAL FLANGE BOLT M10 x 1.25 x 165 0/000.460.46132 (u. 2)	
3	SELF-LOCKING NUT M10 x 1.25 0/000.340.46011 (u. 2)	Obsolete
	SELF-LOCKING NUT M10 x 1.25 0/000.340.46002 (u. 2)	
4	INTERNAL HEXAGONAL FLOWER SHAPED CONCAVE HEXAGONAL FLANGE BOLT M10 x 1.25 x 110 0/000.460.46125 (u. 1)	
5	SILENTBLOCK CHASSIS 0/000.360.4611 (u. 2)	
6	ENGINE LEFT INSTALLATION LINER 0/000.480.4641 (u. 1)	
7	NUT M10 x 1.25 0/000.340.46029 (u. 2)	
8	INSTALL THE LINER ON THE RIGHT SIDE OF THE ENGINE 0/000.480.4642 (u. 1)	
9	TORX HEXAGONAL SCREW WITH WASHER M10x1.25x130 0/000.460.46055 (u. 1)	
10	TORX HEXAGONAL SCREW WITH WASHER M6x14 0/000.460.46043 (u. 6)	
11	LEFT RADIATOR BRACKET 0/000.980.4602 (u. 1)	
12	RADIATOR BRACKET RH 0/000.980.4605 (u. 1)	
13	QUICK NUT M6 0/000.340.46012 (u. 2)	
14	UPPER CHASSIS SILENTBLOCK 0/000.360.4612 (u. 2)	
15	FRAME LABEL 0/000.220.4618 (u. 1)	
16	RIVETS CHASSIS NUMBER PLATE 0/000.330.4601 (u. 2)	

17	LEFT PROTECTIVE PLATE INSTALLATION SEAT 0/000.980.4667 (u. 1)
18	HEXAGONAL INTERNAL PLUM BLOSSOM BOLT M6 x 45 0/000.460.46128 (u. 1)
19	CHAIN TENSIONER AXLE SLEEVE 0/000.480.4651 (u. 2)
20	CHAIN TENSIONER BEARING 0/000.960.4632 (u. 2)
21	CHAIN TENSIONING WHEEL 0/000.360.4626 (u. 1)
22	CHAIN TENSIONER BUSHING 0/000.480.4650 (u. 1)

FRONT CHASSIS ASSEMBLY

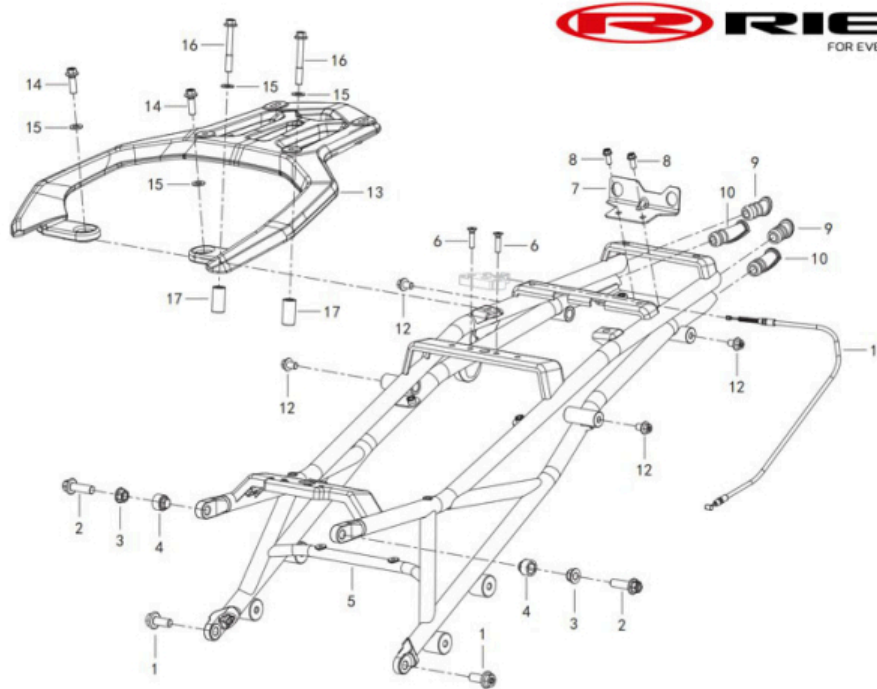


1	FRONT LEFT BUMPER ASSEMBLY 0/000.220.4617 (u. 1)
	HEX SCREW WITH FLANGE EN 1665 - M8x16 (WHITE ZINC) 0/000.460.3871 (u. 2)
2	TORX HEXAGONAL SCREW WITH WASHER M8x16 0/000.460.46046 (u. 2) TORN.ESP. DIN 6921 Hex.10 TX40 M8x16 Cal.10.9 GEOMET 0/000.460.9192 (u. 2)
3	BUMPER RUBBER PLUG I 0/000.410.4625 (u. 2)
4	TORX CYLINDRICAL HEAD SCREW M8x25 0/000.460.46115 (u. 2)
5	FRONT CHASSIS FIXING SCREW 0/000.460.46025 (u. 2)
6	SELF-LOCKING NUT M10 x 1.25 0/000.340.46002 (u. 2) SELF-LOCKING NUT M10 x 1.25 0/000.340.46011 (u. 2)
7	INTERNAL HEXAGONAL SCREW M6x30 0/000.460.46075 (u. 1)
8	M6 NUT 0/000.340.46020 (u. 1)
9	FRONT RIGHT BUMPER ASSEMBLY 0/000.220.4616 (u. 1)
10	CHASSIS FAIRING 0/000.010.4602 (u. 1)
11	TORX HEXAGONAL SCREW WITH WASHER M10x1.25x20 0/000.460.46049 (u. 2)
12	TORX CYLINDRICAL HEAD SCREW M8x16 0/000.460.46113 (u. 3)
13	TORX CYLINDRICAL HEAD SCREW M8x20 0/000.460.46114 (u. 1)
14	EXPANSION TANK BRACKET 0/000.980.4621 (u. 1)

Obsolete

15	INTERNAL HEXAGONAL SCREW M6x12 0/000.460.46070 (u. 1)
16	CHASSIS UPPER FAIRING JOINT 0/000.010.4603 (u. 1)
17	SPECIAL SCREW WITH TORX WASHER M6x14 BLACK ZINC 0/000.460.46008 (u. 2)

REAR CHASSIS ASSY.

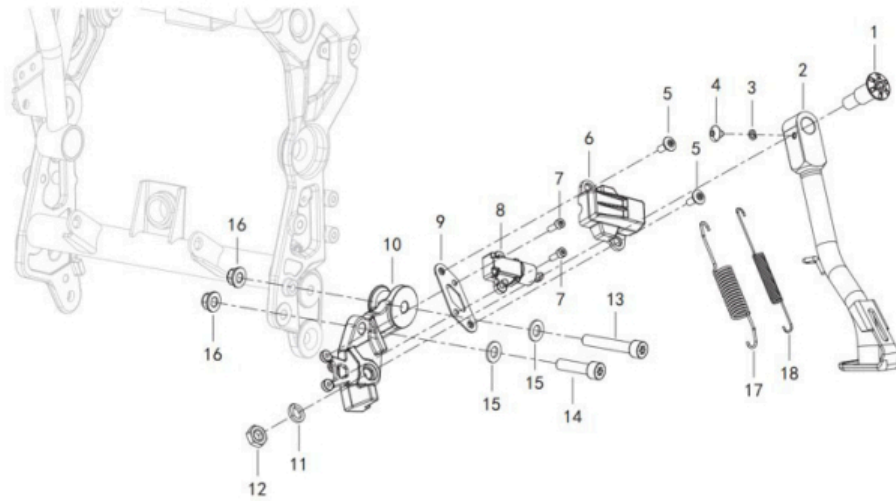


1	TORX HEXAGONAL SCREW WITH WASHER M10x25 0/000.460.46050 (u. 2)	
2	SUBFRAME TO CHASSIS UNION SCREW 0/000.460.46026 (u. 2)	
3	SELF-LOCKING NUT M10 x 1.25 0/000.340.46002 (u. 2)	
3	SELF-LOCKING NUT M10 x 1.25 0/000.340.46011 (u. 2)	Obsolete
4	DECORATIVE NUT CAP 0/000.410.4614 (u. 2)	
5	SUBCHASSIS XPLORA 0/000.010.4604 (u. 1)	
6	SCREW M6x25 0/000.460.46099 (u. 2)	
7	REAR LIGHT BRACKET 0/000.980.4647 (u. 1)	
8	TORX HEXAGONAL SCREW WITH WASHER M6x14 0/000.460.46043 (u. 2)	
9	SUBCHASSIS PLUG 1 0/000.410.4610 (u. 2)	
10	SUBCHASSIS CAP 2 0/000.410.4611 (u. 2)	
11	SEAT OPENING CABLE 0/000.550.4604 (u. 1)	
12	TORX HEXAGONAL SCREW WITH WASHER M8x12 0/000.460.46045 (u. 4)	
13	XPLORA GRAB HANDLE 0/000.980.4622 (u. 1)	
14	TORX HEXAGONAL SCREW WITH WASHER M8x25 0/000.460.46048 (u. 2)	
15	FLAT WASHER Ø8 0/000.440.46008 (u. 4)	
16	TORX HEXAGON SCREW WITH WASHER M8x60 0/000.460.46047 (u. 2)	

17

HANDLE BUSHING
0/000.480.4618 (u. 2)

SIDE STAND

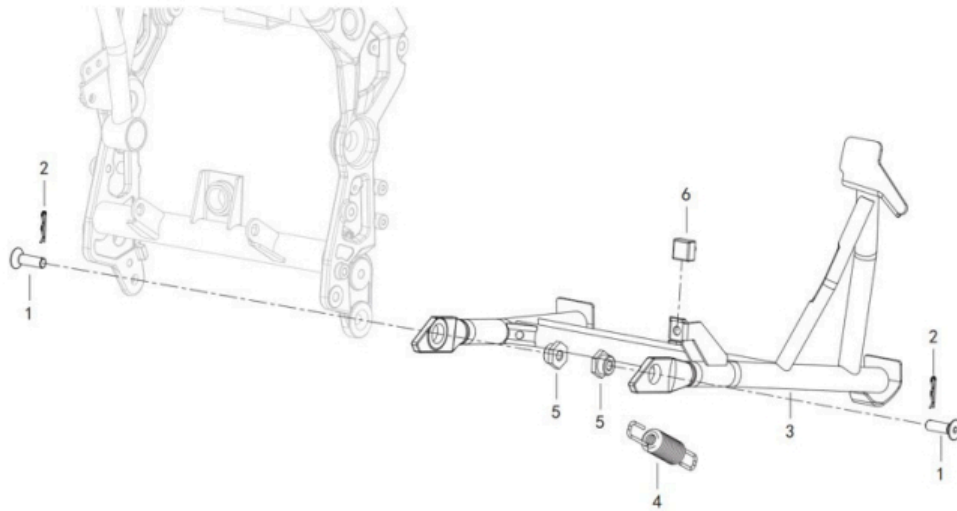


1	SIDE STAND SCREW 0/000.460.46027 (u. 1)
2	SINGLE SUPPORT WELDED COMPONENT 0/000.210.4603 (u. 1)
3	SPRING WASHER M6 0/000.440.46004 (u. 1)
4	SCREW M6X8 0/000.460.46120 (u. 1)
5	FLAT TORX SCREW WITH CENTERING M6x15 0/000.460.46037 (u. 2)
6	SIDE STAND SWITCH PROTECTOR 0/000.350.4607 (u. 1)
7	TORX CYLINDRICAL HEAD SCREW M5x14 0/000.460.46107 (u. 2)
8	SIDE STAND SENSOR 0/001.010.4607 (u. 1)
9	SIDE STAND SWITCH BRACKET 0/000.980.4624 (u. 1)
10	SIDE STAND BRACKET 0/000.980.4623 (u. 1)
11	SPRING WASHER M12 0/000.440.46009 (u. 1)
12	NUT M12x1.25 0/000.340.46017 (u. 1)
13	TORX CYLINDRICAL HEAD SCREW M10x60 0/000.460.46118 (u. 1)
14	CYLINDRICAL HEAD TORX SCREW M10x40 0/000.460.46116 (u. 1)
15	FLAT WASHER Ø10 0/000.440.46010 (u. 2)
16	METAL SELF-LOCKING NUT M10 0/000.340.46013 (u. 2)
17	SINGLE SUPPORT EXTERNAL SPRING 0/000.470.4614 (u. 1)

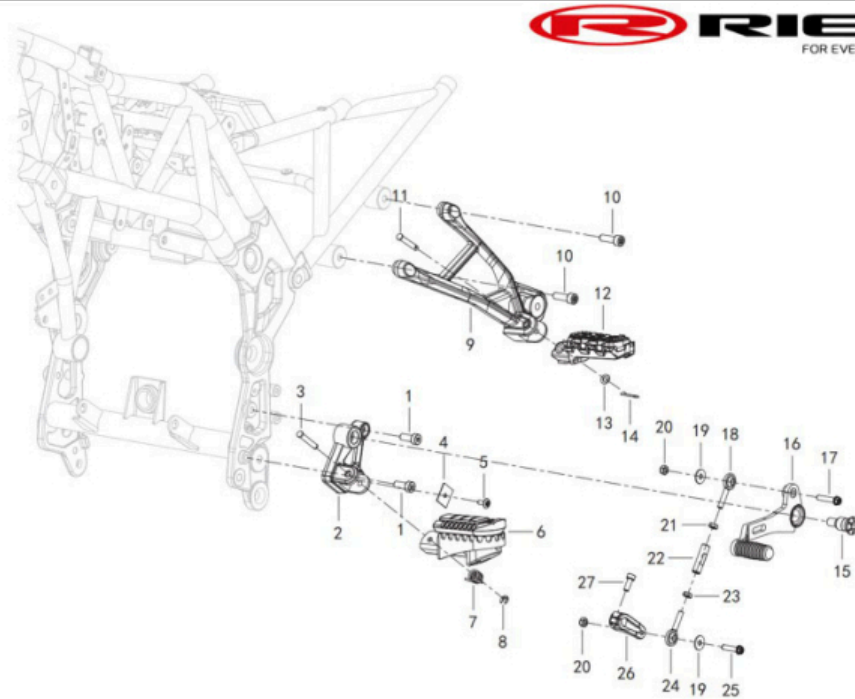
18

INNER SPRING
0/000.470.4615 (u. 1)

CENTRAL STAND

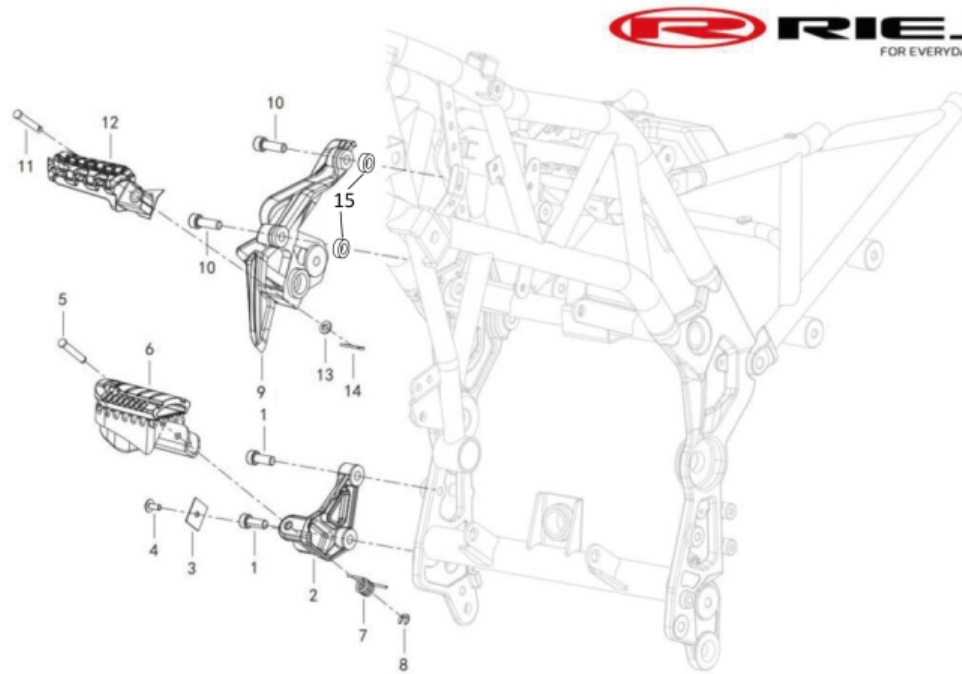


1	HEXAGONAL SOCKET SCREW/M10 × 1.25 × 33.5 0/000.460.46124 (u. 2)
2	COTTER PIN 0/000.840.4603 (u. 2)
3	MIDDLE SUPPORT WELDING COMPONENT 0/000.210.4602 (u. 1) - <i>NOT COMPATIBLE WITH MODEL 557</i>
4	SINGLE SUPPORT SPRING COMPONENT 0/000.470.4612 (u. 1)
5	INSTALLATION SCREW SLEEVE FOR MIDDLE BRACE 0/000.340.46027 (u. 2)
6	BUFFER RUBBER COMPONENTS 0/000.360.4623 (u. 1)

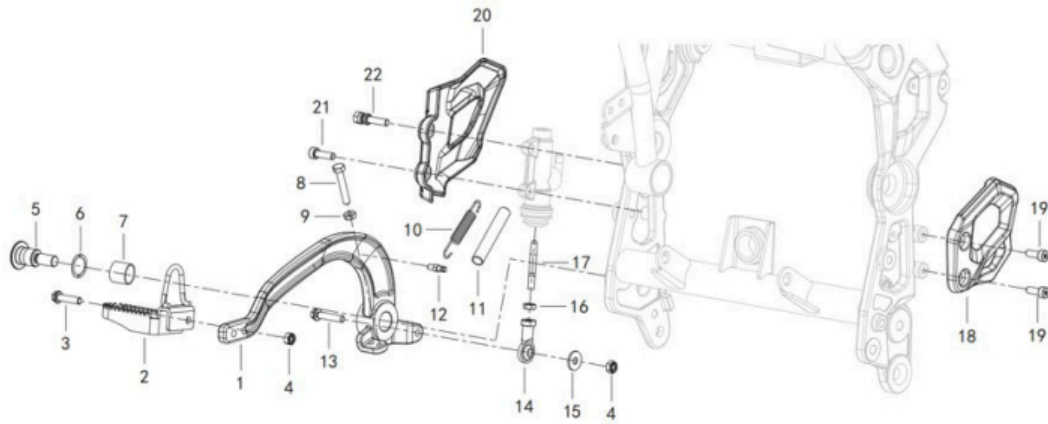
LEFT FOOTREST ASSY.

1	TORX CYLINDRICAL HEAD SCREW M8x20 0/000.460.46114 (u. 2)
2	LEFT FRONT FOOTREST BRACKET 0/000.980.4651 (u. 1)
3	FRONT FOOTPEG PIN 0/000.190.4609 (u. 1)
4	INTERIOR FOOTREST STOP PLATE 0/000.220.4610 (u. 1)
5	TORX CYLINDRICAL HEAD SCREW M5x12 0/000.460.46033 (u. 1)
6	FRONT LEFT FOOTREST 0/000.740.4601 (u. 1)
7	FRONT FOOTPEG SPRING 0/000.470.4603 (u. 1)
8	CIRCLIP Ø5 RING 0/000.300.4607 (u. 1)
9	PASSENGER FOOTREST BRACKET LH 0/000.980.4627 (u. 1)
10	TORX CYLINDRICAL HEAD SCREW M8x25 0/000.460.46115 (u. 2)
11	PASSENGER FOOTPEG PIN 0/000.190.4608 (u. 1)
12	PASSENGER FOOTPEG LH 0/000.740.4602 (u. 1)
13	GASKET Ø6 0/000.490.4609 (u. 1)
14	PASSENGER FOOTPEG AXLE PIN 0/000.840.4602 (u. 1)
15	INSTALLATION SCREW FOR GEAR SHIFT LEVER 0/000.460.46126 (u. 1)
16	SHIFT LEVER WELDING COMPONENT 0/005.430.4603 (u. 1)
17	INTERNAL HEXAGONAL SCREW M6x30 0/000.460.46075 (u. 1)

18	M6 LEFT JOINT HEAD 0/000.460.46130 (u. 1)
19	FLAT WASHER Ø6 0/000.440.46014 (u. 2)
20	M6 NUT 0/000.340.46020 (u. 2)
21	LEFT NUT M6 0/000.340.46030 (u. 1)
22	VARIABLE GEAR LEVER CONNECTING ROD 0/000.190.4618 (u. 1)
23	NUT M6 ZG 0/000.340.46019 (u. 1)
24	SECTION HEADER 0/000.460.46127 (u. 1)
25	INTERNAL HEXAGONAL SCREW M6x25 0/000.460.46073 (u. 1)
26	VARIABLE GEAR LEVER MOUNTING SEAT 0/000.830.4605 (u. 1)
27	TORX CYLINDRICAL HEAD SCREW M6x16 0/000.460.46109 (u. 1)

RIGHT FOOTREST ASSEMBLY


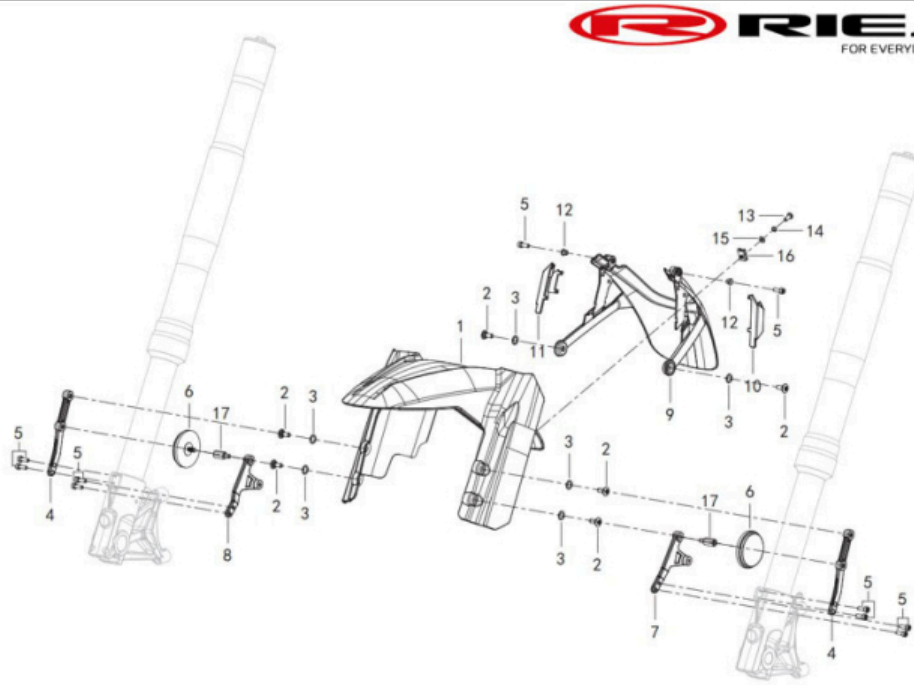
1	TORX CYLINDRICAL HEAD SCREW M8x20 0/000.460.46114 (u. 2)
2	FRONT RIGHT FOOTREST BRACKET 0/000.980.4626 (u. 1)
3	INTERIOR FOOTREST STOP PLATE 0/000.220.4610 (u. 1)
4	TORX CYLINDRICAL HEAD SCREW M5x12 0/000.460.46033 (u. 1)
5	FRONT FOOTPEG PIN 0/000.190.4609 (u. 1)
6	FRONT RIGHT FOOTPEG 0/000.740.4603 (u. 1)
7	FRONT FOOTPEG SPRING 0/000.470.4603 (u. 1)
8	CIRCLIP Ø5 RING 0/000.300.4607 (u. 1)
9	PASSENGER FOOTPEG BRACKET RH 0/000.980.4628 (u. 1)
10	TORNILLO 8x30 SILENCIOSO XPLORA 0/000.460.46184 (u. 2)
11	PASSENGER FOOTPEG PIN 0/000.190.4608 (u. 1)
12	PASSENGER FOOTREST RH 0/000.740.4604 (u. 1)
13	GASKET Ø6 0/000.490.4609 (u. 1)
14	PASSENGER FOOTPEG AXLE PIN 0/000.840.4602 (u. 1)
15	XPLORA EXHAUST PROTECTOR SPACER 0/000.480.4652 (u. 2)

BRAKE PEDAL ASSY.

1	BRAKE PEDAL 0/000.730.4601 (u. 1)
2	BRAKE PEDAL TIP 0/000.730.4602 (u. 1)
3	INTERNAL HEXAGONAL SCREW M6x25 0/000.460.46073 (u. 1)
4	M6 NUT 0/000.340.46020 (u. 2)
5	BRAKE PEDAL SCREW 0/000.460.46028 (u. 1)
6	BRAKE PEDAL GASKET 0/000.490.4614 (u. 1)
7	BUSHING BRAKE PEDAL 0/000.480.4619 (u. 1)
8	SCREW M6x35 0/000.460.46085 (u. 1)
9	NUT M6 ZG 0/000.340.46019 (u. 1)
10	BRAKE PEDAL SPRING 0/000.470.4604 (u. 1)
11	RUBBER SLEEVE FOR PEDAL SPRING 0/000.640.4608 (u. 1)
12	SPRING RETENTION PIN 0/000.240.4602 (u. 1)
13	INTERNAL HEXAGONAL SCREW M6x30 0/000.460.46075 (u. 1)
14	BRAKE LEVER BALL JOINT 0/000.460.46029 (u. 1)
15	FLAT WASHER Ø6 0/000.440.46014 (u. 1)
16	NUT M6 ZG 0/000.340.46019 (u. 1)
17	REAR FOOT PUMP PLUNGER SCREW 0/000.190.4619 (u. 1)

18	LOWER CHASSIS PROTECTOR LH 0/000.220.4602 (u. 1)
19	TORX CYLINDRICAL HEAD SCREW M6x16 0/000.460.46109 (u. 2)
20	CHASSIS AND REAR BRAKE PUMP PROTECTOR 0/000.220.4603 (u. 1)
21	TORX CYLINDRICAL HEAD SCREW M6x20 0/000.460.46110 (u. 1)
22	REAR BRAKE PUMP PROTECTOR SCREW 0/000.460.46012 (u. 1)

FRONT MUDGUARD ASSY.



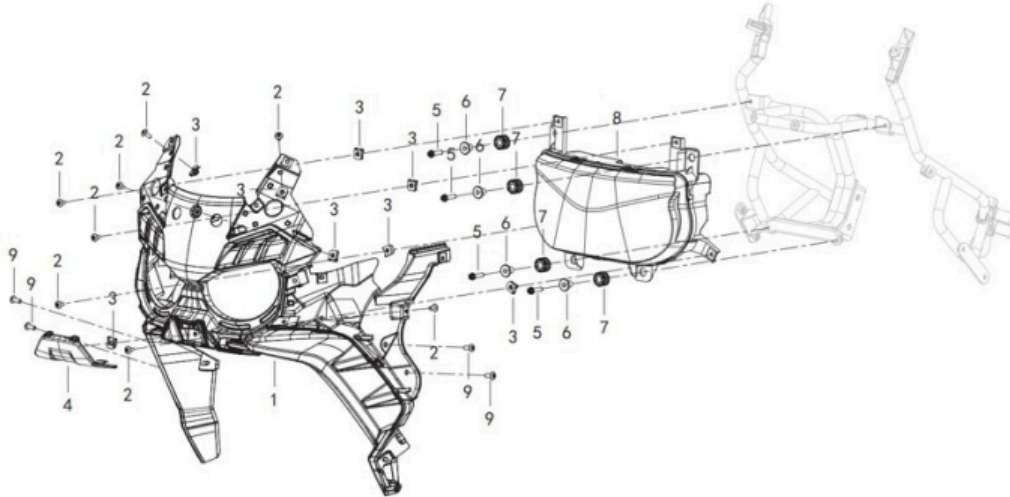
1	FRONT FENDER BLACK WITH DECAL 0/000.050.4602 (u. 1)
2	FLAT TORX SCREW WITH CENTERING M6x15 0/000.460.46037 (u. 6)
3	PLASTIC FIXING O-RING 0/000.490.4615 (u. 6)
4	FRONT MUD PLATE BRACKET I 0/000.980.4652 (u. 2)
5	TORX CYLINDRICAL HEAD SCREW M5x14 0/000.460.46107 (u. 10)
6	REFLECTOR 0/000.630.4601 (u. 2)
7	LEFT FRONT MUDGUARD BRACKET I 0/000.980.4653 (u. 1)
8	RIGHT FRONT MUDGUARD BRACKET I 0/000.980.4654 (u. 1)
9	FRONT INNER FENDER 0/000.050.4603 (u. 1)
10	LH SIDE TRIM INNER FENDER 0/000.570.4604 (u. 1)
11	RH INNER FENDER SIDE TRIM 0/000.570.4605 (u. 1)
12	FRONT FENDER BUSHING 0/000.480.4620 (u. 2)
13	TORX FLAT HEAD SCREW M5x12 0/000.460.46103 (u. 1)
14	SPRING WASHER M5 0/000.440.46011 (u. 1)
15	GASKET Ø5 0/000.490.4616 (u. 1)
16	QUICK NUT 0/000.340.46015 (u. 1)
17	REFLECTOR SCREW FRONT FORK 0/000.460.46001 (u. 2)

WINDSHIELD ASSY.



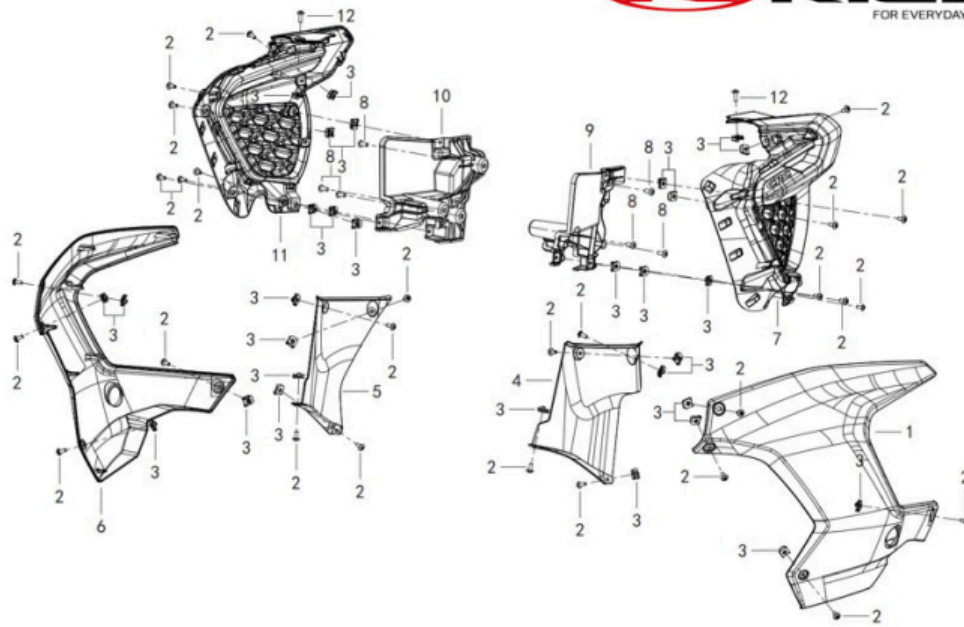
1	XPLORA WINDSCREEN 0/000.780.4601 (u. 1)
2	WINDSCREEN SCREW 0/000.460.46031 (u. 4)
3	WINDSCREEN BUSHING 0/000.480.4624 (u. 4)
4	SILENTBLOCK FAIRING 0/000.360.4617 (u. 4)
5	INSTRUMENT ASSEMBLY 0/001.000.4602 (u. 1)
6	DASHBOARD BUSHINGS 0/000.480.4625 (u. 8)
7	USB PORT 0/001.200.4604 (u. 1)
8	TORX SCREW WITH WASHER M5x12 BLACK ZINC 0/000.460.46002 (u. 18)
9	QUICK NUT M5 0/000.340.46014 (u. 18)
10	INSTRUMENT FAIRING 0/000.570.4606 (u. 1)
11	SILENTBLOCK 0/000.360.4616 (u. 4)
12	DASHBOARD FIXING SCREW 0/000.460.46030 (u. 4)
13	LH INSTRUMENTS SIDE COVER 0/000.570.4610 (u. 1)
14	RH INSTRUMENTS SIDE COVER 0/000.570.4613 (u. 1)
15	FRONT LEFT TURN SIGNAL 0/000.150.4602 (u. 1)
16	FRONT RIGHT TURN SIGNAL 0/000.150.4603 (u. 1)
17	CONNECTION GASKET DASHBOARD 0/000.490.4617 (u. 2)

FRONT COVERS ASSY.

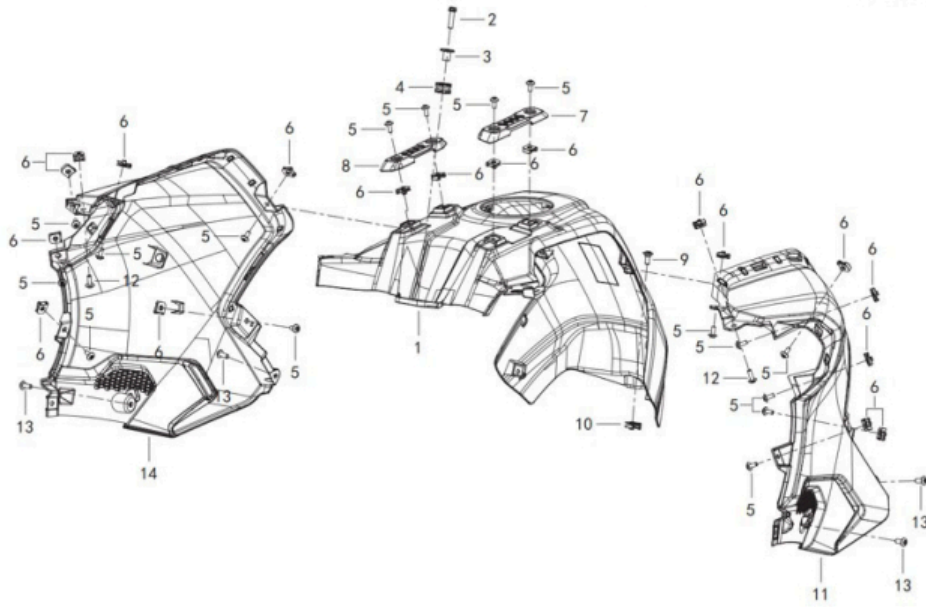


1	HEADLIGHT HOLDER XPLORA 0/000.620.4601 (u. 1)
2	TORX SCREW WITH WASHER M5x12 BLACK ZINC 0/000.460.46002 (u. 8)
3	QUICK NUT M5 0/000.340.46014 (u. 8)
4	FRONT HEADLIGHT TRIM 0/000.570.4609 (u. 1)
5	INTERNAL HEXAGONAL SCREW M6x25 0/000.460.46073 (u. 4)
6	WINDSCREEN BUSHING 0/000.480.4624 (u. 4)
7	SILENTBLOCK 0/000.360.4616 (u. 4)
8	HEADLIGHTS 0/000.600.4602 (u. 1)
9	SPECIAL SCREW WITH TORX WASHER M6x14 BLACK ZINC 0/000.460.46008 (u. 4)

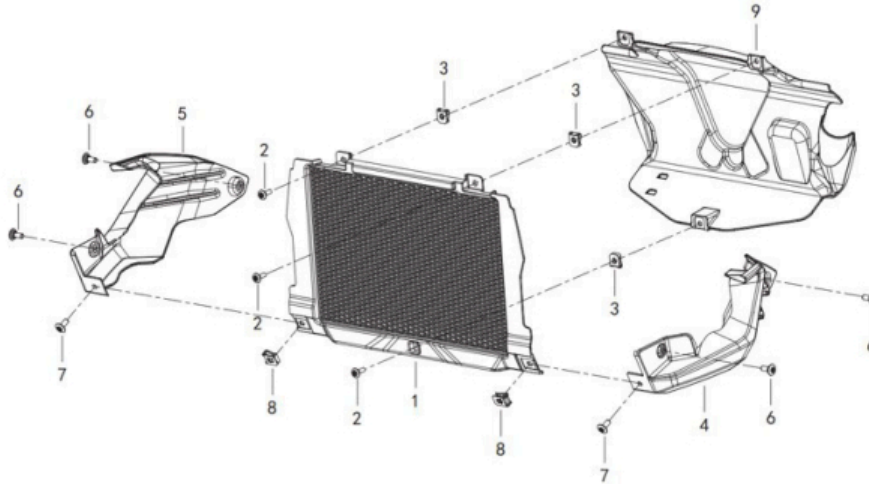
FRONT SIDE COVERS ASSY.



1	LEFT FRONT GUARD,BLACK BG,WITH STICKER 0/000.570.4644 (u. 1)
2	TORX SCREW WITH WASHER M5x12 BLACK ZINC 0/000.460.46002 (u. 28)
3	QUICK NUT M5 0/000.340.46014 (u. 30)
4	FRONT INNER FAIRING LH 0/000.570.4607 (u. 1)
5	FRONT INNER FAIRING RH 0/000.570.4608 (u. 1)
6	RIGHT FRONT GUARD,BLACK BG,WITH STICKER 0/000.570.4646 (u. 1)
7	LH AIR OUTLET SIDE COVER 0/000.570.4611 (u. 1)
8	SPECIAL SCREW WITH TORX WASHER M6x14 BLACK ZINC 0/000.460.46008 (u. 6)
9	LH INNER COVER 0/000.570.4614 (u. 1)
10	INNER COVER RH 0/000.570.4615 (u. 1)
11	RH AIR OUTLET SIDE COVER 0/000.570.4612 (u. 1)
12	TORX SCREW WITH WASHER M5x16 BLACK ZINC 0/000.460.46003 (u. 2)

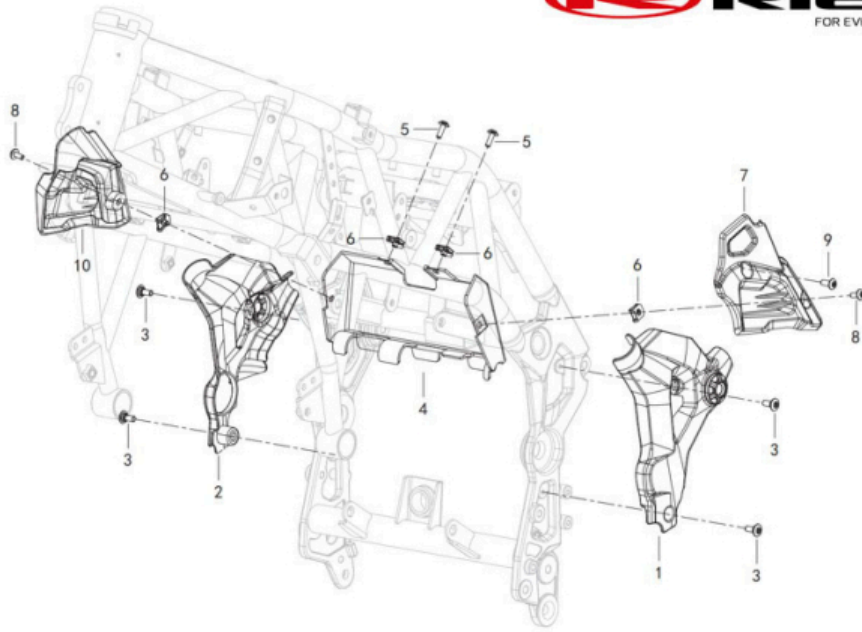
FUEL TANK COVER ASSEMBLY


1	UPPER GAS TANK COVER TRIM 0/000.570.4624 (u. 1)
2	INTERNAL HEXAGONAL SCREW M6x25 0/000.460.46073 (u. 1)
3	DECORATIVE TANK BUSHING 0/000.480.4621 (u. 1)
4	SILENTBLOCK TANK TRIM 0/000.360.4615 (u. 1)
5	TORX SCREW WITH WASHER M5x12 BLACK ZINC 0/000.460.46002 (u. 16)
6	QUICK NUT M5 0/000.340.46014 (u. 18)
7	LH TANK ELEMENTS SUPPORT 0/000.570.4629 (u. 1)
8	SUPPORT RH TANK ELEMENTS 0/000.570.4630 (u. 1)
9	FLAT TORX SCREW WITH CENTERING M6x15 0/000.460.46037 (u. 1)
10	CARDNUT M6 0/000.340.46028 (u. 1)
11	LEFT BLACK TANK COVER 0/000.570.4626 (u. 1)
12	TORX SCREW WITH WASHER M5x16 BLACK ZINC 0/000.460.46003 (u. 2)
13	SPECIAL SCREW WITH TORX WASHER M6x14 BLACK ZINC 0/000.460.46008 (u. 4)
14	RH BLACK TANK COVER 0/000.570.4628 (u. 1)

RADIATOR CAP SET


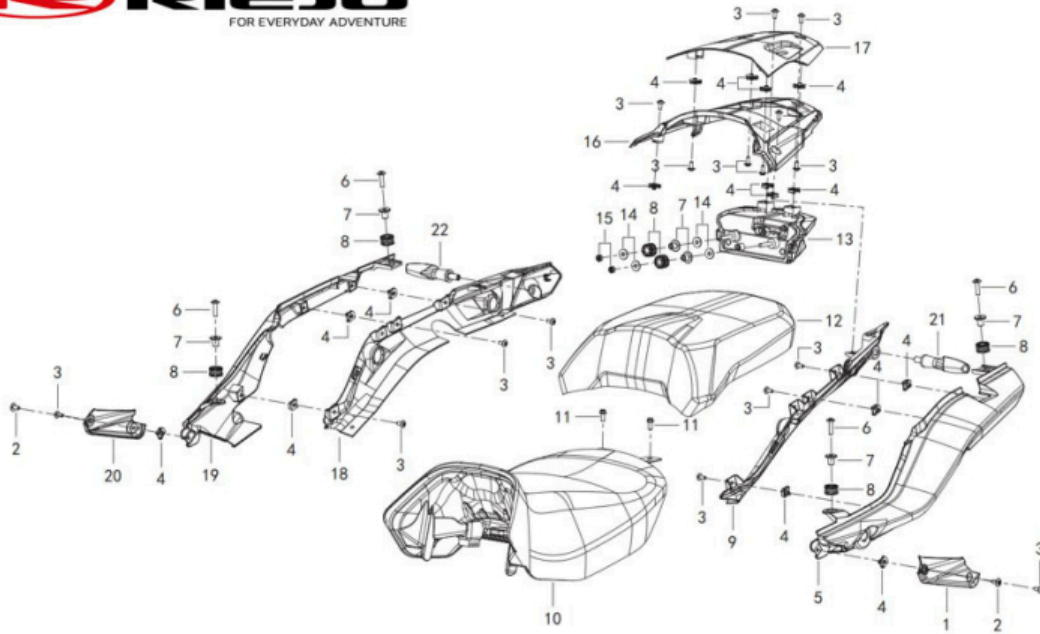
1	RADIATOR GUARD 0/000.220.4605 (u. 1)
2	SCREW ISO 7380 Allen M5x16 Z/WHITE 0/000.460.46005 (u. 3)
3	QUICK NUT M5 0/000.340.46014 (u. 3)
4	RADIATOR GUIDE COVER LH 0/000.570.4632 (u. 1)
5	RADIATOR GUIDE COVER RH 0/000.570.4633 (u. 1)
6	FLAT TORX SCREW WITH CENTERING M6x15 0/000.460.46036 (u. 4)
7	FLAT HEAD SCREW TPRZ M6x14 0/000.460.46035 (u. 2)
8	QUICK NUT M6 0/000.340.46012 (u. 2)
9	WINDSHIELD 0/000.570.4642 (u. 1)

CENTRAL CHASSIS COVER



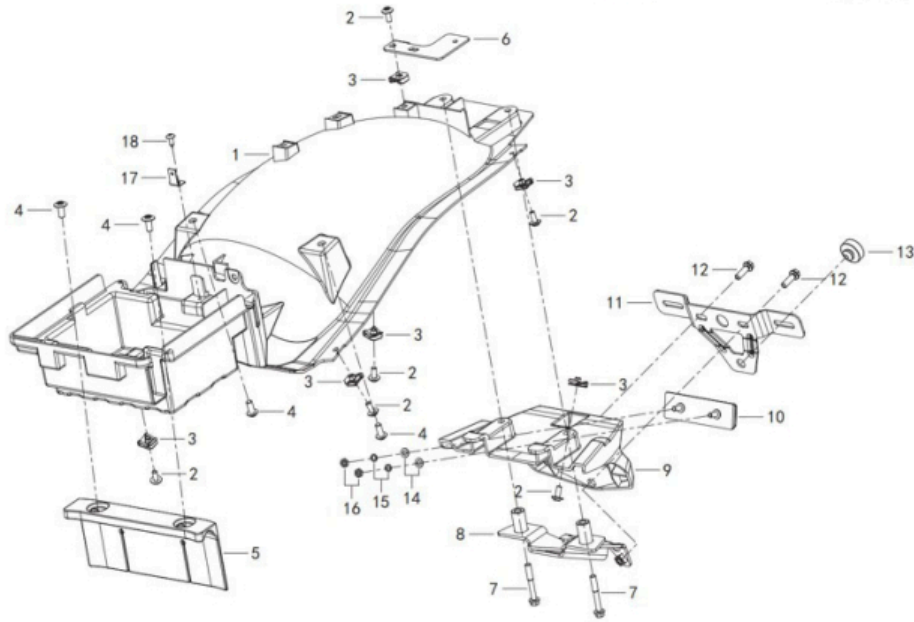
1	LEFT DECORATIVE PANEL OF FRAME II 0/000.220.4619 (u. 1)
2	RIGHT FRAME DECORATIVE PANEL II 0/000.220.4621 (u. 1)
3	FLAT TORX SCREW WITH CENTERING M6x15 0/000.460.46036 (u. 4)
4	INTERNAL CONNECTION BOARD 0/000.570.4647 (u. 1)
5	TORX SCREW WITH WASHER M5x16 BLACK ZINC 0/000.460.46003 (u. 2)
6	QUICK NUT M5 0/000.340.46014 (u. 4)
7	LEFT INTERIOR DECORATIVE PANEL OF THE FRAME 0/000.220.4620 (u. 1)
8	TORX SCREW WITH WASHER M5x12 BLACK ZINC 0/000.460.46002 (u. 2)
9	SPECIAL SCREW WITH TORX WASHER M6x14 BLACK ZINC 0/000.460.46008 (u. 1)
10	INTERIOR RH CHASSIS PROTECTOR 0/000.220.4606 (u. 1)

SIDE COVER ASSY.



1	REAR LEFT SIDE TRIM 0/000.570.4618 (u. 1)
2	TORX SCREW WITH WASHER M6x12 BLACK ZINC 0/000.460.46007 (u. 2)
3	TORX SCREW WITH WASHER M5x12 BLACK ZINC 0/000.460.46002 (u. 16)
4	QUICK NUT M5 0/000.340.46014 (u. 16)
5	LEFT TAIL COVER, BLACK BG, WITH STICKER 0/000.570.4649 (u. 1)
6	FLAT HEAD TPRZ SCREW M6x25 0/000.460.46034 (u. 4)
7	DECORATIVE TANK BUSHING 0/000.480.4621 (u. 6)
8	SILENTBLOCK TANK TRIM 0/000.360.4615 (u. 6)
9	REAR LH INNER SIDE COVER 0/000.570.4640 (u. 1)
10	SEAT XPLORA 0/000.040.4601 (u. 1)
11	TORX HEXAGONAL SCREW WITH WASHER M6x14 0/000.460.46043 (u. 2)
12	PASSENGER SEAT XPLORA 0/000.040.4602 (u. 1)
13	TAIL LIGHT 0/000.150.4601 (u. 1)
14	FLAT WASHER Ø6 0/000.440.46014 (u. 4)
15	M6 NUT 0/000.340.46020 (u. 2)
16	LOWER FAIRING 0/000.570.4617 (u. 1)
17	UPPER TAILSECTION 0/000.570.4616 (u. 1)

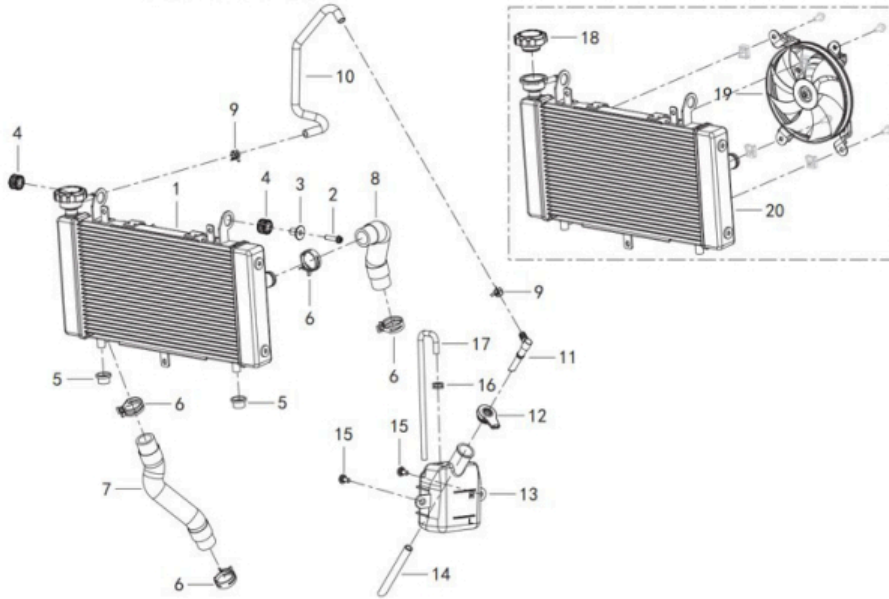
18	REAR RIGHT INTERIOR SIDE COVER 0/000.570.4641 (u. 1)
19	RIGHT TAIL COVER, BLACK BG, WITH STICKER 0/000.570.4651 (u. 1)
20	REAR RIGHT SIDE TRIM 0/000.570.4619 (u. 1)
21	REAR LEFT TURN SIGNAL 0/000.150.4604 (u. 1)
22	REAR TURN SIGNAL RH 0/000.150.4605 (u. 1)

REAR MUDGUARD ASSY.


1	REAR UPPER FENDER 0/000.060.4603 (u. 1)
2	TORX SCREW WITH WASHER M5x12 BLACK ZINC 0/000.460.46002 (u. 6)
3	QUICK NUT M5 0/000.340.46014 (u. 6)
4	SPECIAL SCREW WITH TORX WASHER M6x14 BLACK ZINC 0/000.460.46008 (u. 4)
5	LOWER BATTERY BOX RUBBER 0/000.360.4614 (u. 1)
6	UPPER REAR FENDER PLATE 0/000.220.4604 (u. 1)
7	TORX HEXAGONAL SCREW WITH WASHER M6x42 0/000.460.46044 (u. 2)
8	UPPER REAR FENDER BRACKET 0/000.980.4633 (u. 1)
9	REAR REFLECTOR MOUNTING PLATE 0/000.570.4635 (u. 1)
10	REAR REFLECTOR 0/000.630.4602 (u. 1)
11	REAR LICENSE PLATE HOLDER 0/000.980.4646 (u. 1)
12	HEXAGON SOCKET SCREW M6x20 0/000.460.46072 (u. 2)
13	SILENTBLOCK REAR REFLECTOR COVER 0/000.360.4613 (u. 1)
14	GASKET Ø5 0/000.490.4616 (u. 2)
15	SPRING WASHER M5 0/000.440.46011 (u. 2)
16	M5 NUT 0/000.340.46016 (u. 2)
17	FUSE BOX BRACKET 0/000.980.4632 (u. 1)

18	FUSE BOX SUPPORT SCREW 0/000.460.46032 (u. 1)
-----------	--

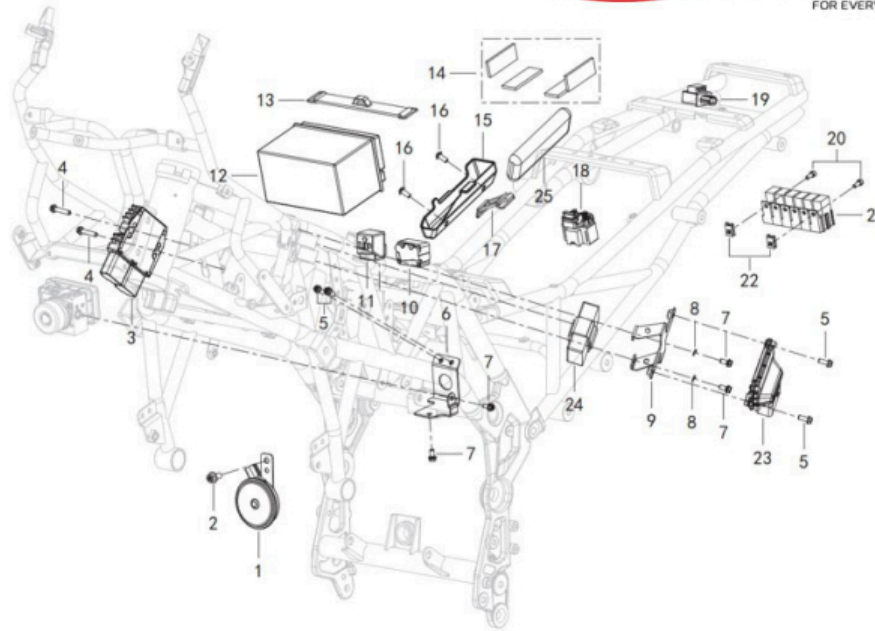
COOLING SYSTEM



1	WATER TANK COMPONENTS 0/000.580.4604 (u. 1)
2	INTERNAL HEXAGONAL SCREW M6x25 0/000.460.46073 (u. 1)
3	RADIATOR MOUNTING BUSHING 0/000.480.4623 (u. 1)
4	SILENTBLOCK TANK TRIM 0/000.360.4615 (u. 2)
5	LOWER RADIATOR BUSHING 0/000.480.4622 (u. 2)
6	SPRING CLAMP Ø30 0/000.680.4605 (u. 4)
7	RADIATOR PIPE TO ENGINE 707 0/000.290.4602 (u. 1)
8	ENGINE PIPE TO RADIATOR 707 0/000.290.4606 (u. 1)
9	CLAMP Ø11 0/000.680.4610 (u. 2)
10	RADIATOR PIPE TO EXPANSION TANK 0/000.290.4601 (u. 1)
11	RADIUSED ELBOW PIPE TO EXPANSION TANK 0/000.290.4623 (u. 1)
12	EXPANSION TANK CAP 0/000.410.4612 (u. 1)
13	EXPANSION TANK 0/000.030.4601 (u. 1)
14	EXPANSION TANK INNER TUBE 0/000.290.4605 (u. 1)
15	FLAT TORX SCREW WITH CENTERING M6x15 0/000.460.46036 (u. 2)
16	SILENTBLOCK 0/000.360.4619 (u. 1)
17	OVERFLOW TUBE EXPANSION TANK 0/000.290.4604 (u. 1)

18	RADIATOR CAP 0/000.410.4613 (u. 1)
19	ELECTRIC FAN 0/005.060.4601 (u. 1)
20	WATER TANK WELDING COMPONENTS 0/000.580.4603 (u. 1)

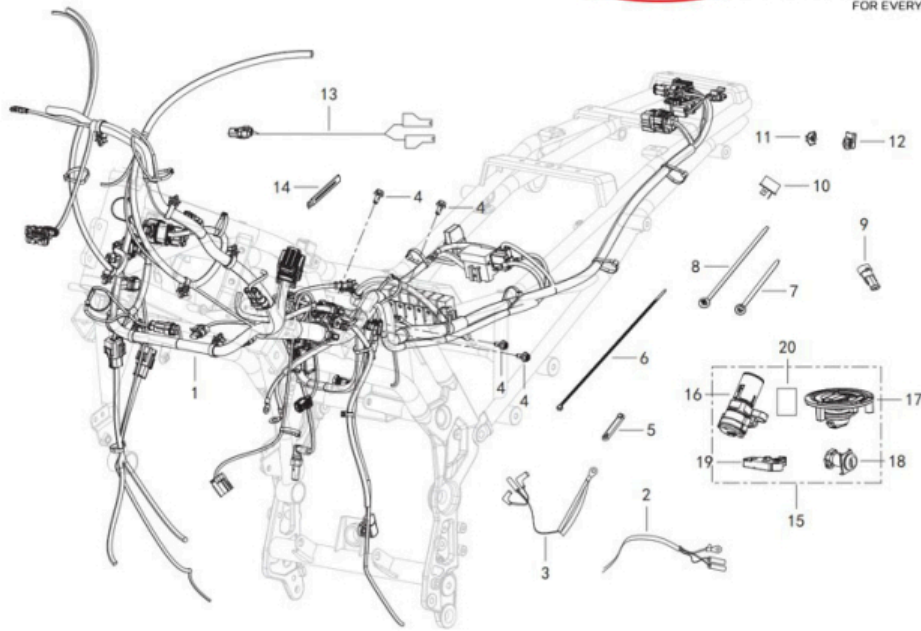
ELECTRICAL COMPONENTS



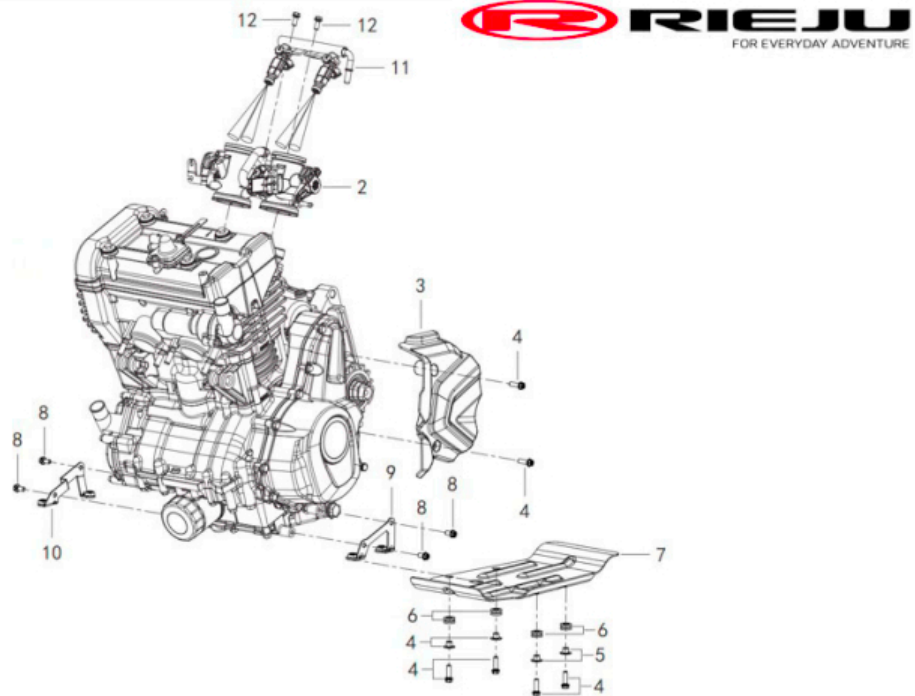
1	HORN 0/000.420.4601 (u. 1)
2	TORX HEXAGONAL SCREW WITH WASHER M8x16 0/000.460.46046 (u. 1) TORN.ESP. DIN 6921 Hex.10 TX40 M8x16 Cal.10.9 GEOMET 0/000.460.9192 (u. 1)
3	REGULATOR 0/005.070.4601 (u. 1)
4	INTERNAL HEXAGONAL SCREW M6x30 0/000.460.46075 (u. 2)
5	TORX HEXAGONAL SCREW WITH WASHER M6x14 0/000.460.46043 (u. 4)
6	ABS MOUNTING SEAT 0/000.980.4655 (u. 1)
7	INTERNAL HEXAGONAL SCREW M6x12 0/000.460.46070 (u. 4)
8	SPRING WASHER M6 0/000.440.46004 (u. 2)
9	ECU BRACKET 0/000.980.4636 (u. 1)
10	LEAN SENSOR 0/001.010.4608 (u. 1)
11	SENSOR FALL RUBBER SUPPORT 0/000.980.4604 (u. 1)
12	BATTERY 0/000.900.4601 (u. 1)
13	BATTERY STRAP 0/000.680.4602 (u. 1)
14	BATTERY FOAMS 0/000.980.4635 (u. 6)
15	TOOLBOX 0/000.570.4601 (u. 1)
16	SPECIAL SCREW WITH TORX WASHER M6x14 BLACK ZINC 0/000.460.46008 (u. 2)

17	BELT TOOL KIT 0/000.680.4601 (u. 1)
18	STARTER RELAY 0/001.200.4605 (u. 1)
19	FLASHER RELAY 0/001.200.4606 (u. 1)
20	TORX CYLINDRICAL HEAD SCREW M5x12 0/000.460.46105 (u. 2)
21	SET OF RELAYS 0/001.200.4602 (u. 6)
22	QUICK NUT 0/000.340.46015 (u. 2)
23	ECU 0/005.705.4602 (u. 1)
24	LIGHTS RELAY 0/001.200.4603 (u. 1)
25	TOOL KIT 0/000.640.4601 (u. 1)

ELECTRICAL SYSTEM

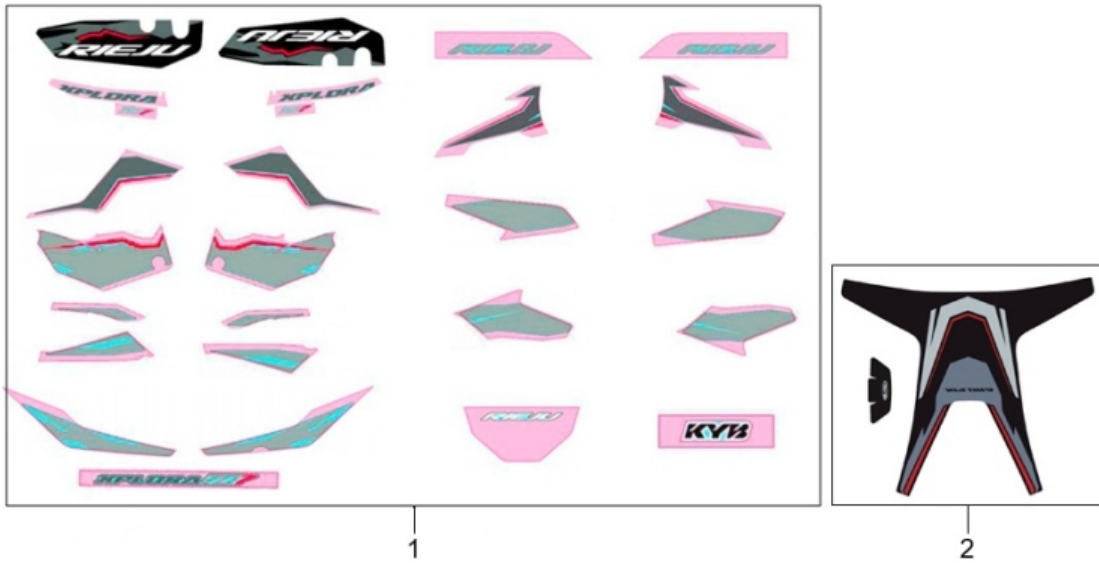


1	CABLE ASSEMBLY 0/000.160.4605 (u. 1)
2	MOTOR LINE 0/000.160.4606 (u. 1)
3	GROUNDING WIRE 0/000.160.4607 (u. 1)
4	TORX HEX SCREW WITH CENTERING WASHER M6x16 0/000.460.46039 (u. 4)
5	RUBBER WIRING CLAMP 0/000.680.4615 (u. 3)
6	NYLON CLAMP 0/000.680.4611 (u. 16)
7	NYLON CLAMP 0/000.680.4612 (u. 1)
8	TIE 0/000.680.4626 (u. 3)
9	DIAGNOSTIC CONNECTOR CAP ABS 0/000.410.4602 (u. 1)
10	START DIODE 0/001.200.4607 (u. 2)
11	CLIP 0/000.630.4605 (u. 3)
12	FIXING CLIP ABS CAP 0/000.630.4604 (u. 1)
13	FRONT BRAKE INSTALLATION SUPPLEMENT 0/000.160.4604 (u. 1)
14	SUPPORT PLATE INSTALLATION 0/000.220.4611 (u. 2)
15	SET IGNITION SWITCH 0/001.060.4601 (u. 1)

CJTO. MOTOR

2	MECHANICAL THROTTLE VALVE BODY 0/005.158.4604 (u. 1)
3	LEFT REAR COVER COMPONENT 0/000.350.4616 (u. 1)
4	HEXAGON SOCKET SCREW M6x20 0/000.460.46072 (u. 6)
5	SPACER SLEEVE 0/000.480.4640 (u. 4)
6	SILENTBLOCK 0/000.360.4619 (u. 4)
7	ENGINE UNDERCOVER 0/000.220.4622 (u. 1)
8	INTERNAL HEXAGONAL SCREW M6x12 0/000.460.46070 (u. 4)
9	ENGINE UNDERCOVER LEFT INSTALLATION PLATE COMPONENT 0/000.980.4656 (u. 1)
10	ENGINE UNDERCOVER RIGHT INSTALLATION PLATE COMPONENT 0/000.980.4657 (u. 1)
11	FUEL INJECTOR ASSEMBLY 0/005.158.4605 (u. 1)
12	HEXAGONAL INTERNAL PLUM BLOSSOM BOLT M6 x 14 0/000.460.46129 (u. 2)

SET STICKERS



1 WHITE STICKER SET XPLORA 707
0/000.390.4606 (u. 1)

2 LENTICULAR DECAL SET XPLORA
0/000.390.4601 (u. 1)

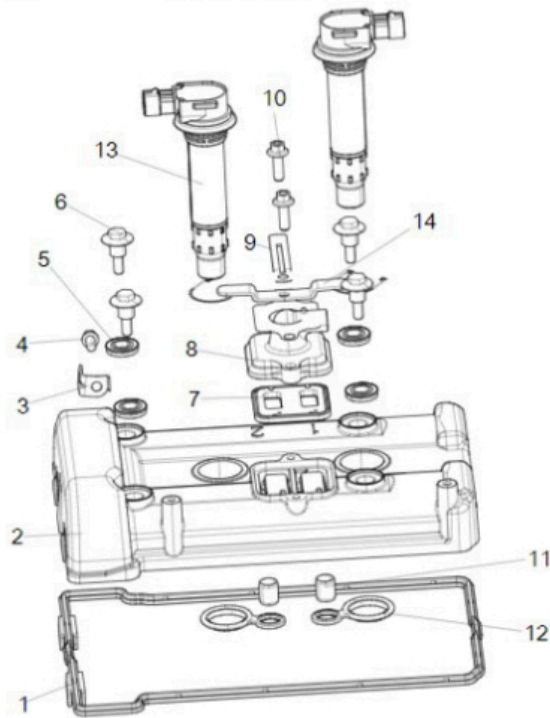
ACCESORIOS



1

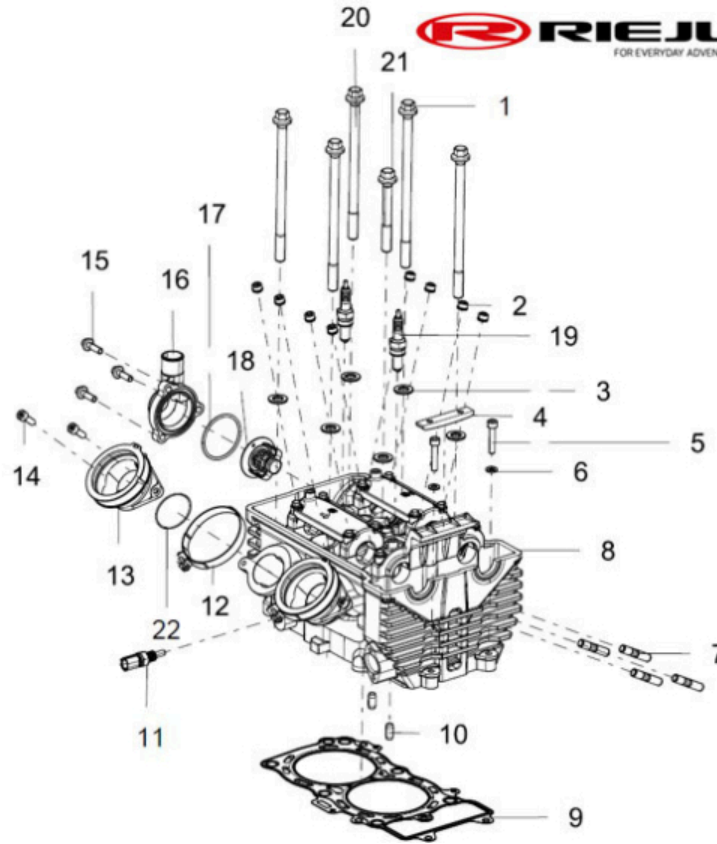
FULL SET XPLORA CASES
0/K01.800.4601 (u. 1)

MOTOR XPLORA 707

ROCKER ARM COVER ASSY.

1	CYLINDER HEAD COVER GASKET 0/000.490.4643 (u. 1)
2	CYLINDER HEAD COVER 0/000.350.4617 (u. 1)
3	CLUTCH CABLE BRACKET 0/000.980.4658 (u. 1)
4	BOLT M6×12 0/000.460.46167 (u. 1)
5	CYLINDER HEAD COVER BOLT SEALING RING 0/000.490.4646 (u. 4)
6	CYLINDER HEAD COVER BOLT 0/000.460.46144 (u. 4)
7	REED VALVE SUBASSEMBLY 0/005.600.4602 (u. 1)
8	CHECK VALVE COVER 0/000.350.4618 (u. 1)
9	SUPPORT PLATE INSTALLATION 0/000.220.4611 (u. 1)
10	BOLT M6×18 0/000.460.46168 (u. 2)
11	POSITIONING SLEEVE 0/000.240.4611 (u. 2)
12	SPARK PLUG HOLE SEALING RING 0/000.490.4647 (u. 2)
13	IGNITION COIL XPLORA 707 0/005.070.4603 (u. 2)
14	HIGH PRESSURE PACK PLATE 0/000.980.4659 (u. 1)

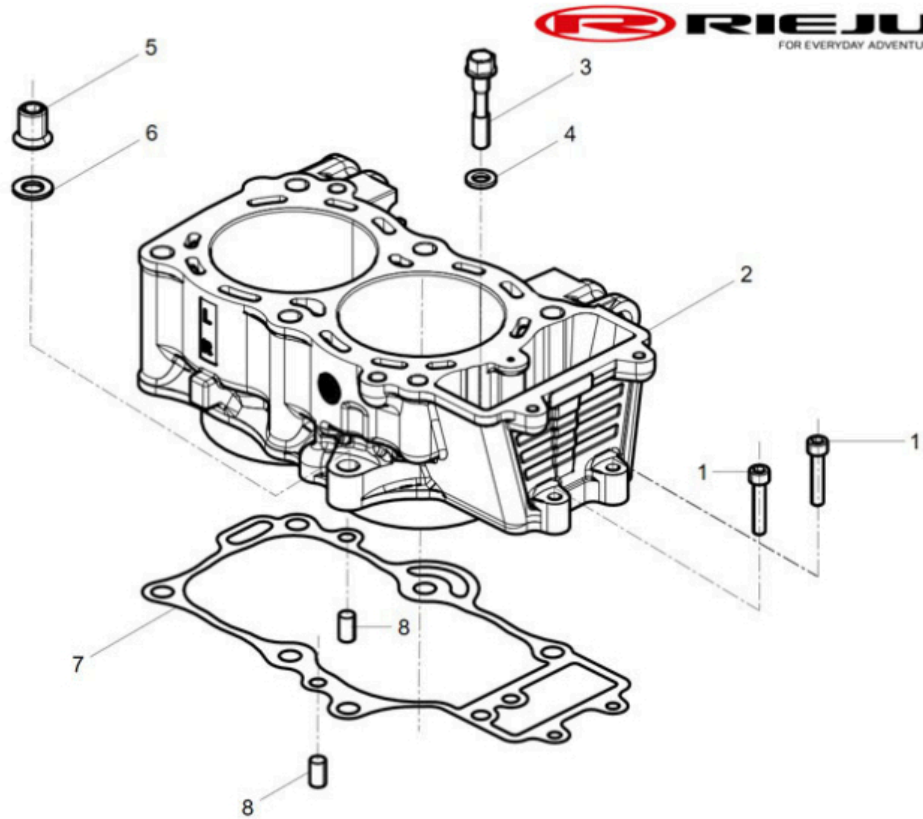
CYLINDER-HEAD



1	CYLINDER HEAD BOLT 0/000.460.46142 (u. 1)
2	OIL SEAL SYS. VALVE 0/000.490.4649 (u. 6)
3	GASKET 10.5×19.8×2 0/000.490.4650 (u. 6)
4	RUBBER 0/000.360.4624 (u. 1)
5	SCREW M6×30 0/000.460.46179 (u. 2)
6	WASHER 6 0/000.440.46033 (u. 2)
7	THREADED ROD M8 0/000.240.4603 (u. 4)
8	CYLINDER HEAD MACHINED COMPONENTS 0/005.770.4602 (u. 1)
9	SEAL WASHER ASSY 0/000.490.4644 (u. 1)
10	PARALLEL PIN 0/000.240.4618 (u. 2)
11	COOLANT TEMPERATURE SENSOR 0/001.010.4617 (u. 1)
12	CLAMP 0/000.680.4616 (u. 2)
13	VALVE RETAINER ASSY 0/000.360.4625 (u. 2)
14	SCREW M6×16 0/000.460.46177 (u. 4)
15	HEXAGON SOCKET SCREW M6×20 0/000.460.46072 (u. 3)

16	THERMOSTAT HOSE 0/000.350.4619 (u. 1)
17	O RING 45x2.65 0/000.490.4645 (u. 1)
18	WATER THERMOSTAT 0/001.010.4618 (u. 1)
19	SPARK PLUG 0/005.110.4602 (u. 2)
20	CYLINDER HEAD BOLT 0/000.460.46141 (u. 4)
21	CYLINDER HEAD BOLT 0/000.460.46143 (u. 1)
22	O RING 0/000.490.4648 (u. 2)

CYLINDER CRANKCASE



1 SCREW M6×30
0/000.460.46179 (u. 2)

2 CYLINDER
0/005.190.4601 (u. 1)

3 BOLT M8×43
0/000.460.46146 (u. 1)

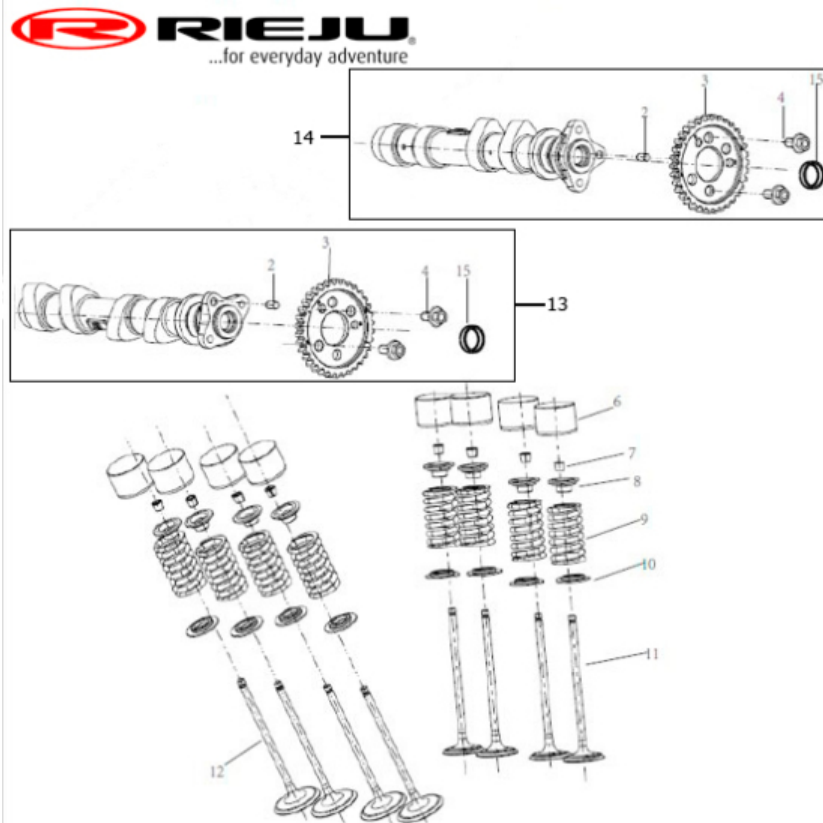
4 WAHSER
0/000.440.46030 (u. 1)

5 NUT
0/000.340.46031 (u. 1)

6 GASKET 10.5×19.8×2
0/000.490.4650 (u. 1)

7 CYLINDER BLOCK GASKET
0/000.490.4651 (u. 1)

8 PARALLEL PIN
0/000.240.4618 (u. 2)

AZIONAMENTO DELLA VALVOLA


2 PIN 5x8
0/000.240.4617 (u. 2)

3 SPROCKET,DRIVEN,TIMING
0/005.400.4612 (u. 2)

4 BOLT M6x11
0/000.460.46145 (u. 4)

VALVE LIFTER 3.92
0/005.490.4640 (u. 8)

VALVE LIFTER 3.70
0/005.490.4629 (u. 8)

VALVE LIFTER 3.90
0/005.490.4639 (u. 8)

VALVE LIFTER 3.72
0/005.490.4630 (u. 8)

VALVE LIFTER 4.00
0/005.490.4644 (u. 8)

VALVE LIFTER 3.60
0/005.490.4624 (u. 8)

VALVE LIFTER 4.08
0/005.490.4648 (u. 8)

VALVE LIFTER 3.64
0/005.490.4626 (u. 8)

VALVE LIFTER 3.86
0/005.490.4637 (u. 8)

VALVE LIFTER 3.68
0/005.490.4628 (u. 8)

VALVE LIFTER 4.04
0/005.490.4646 (u. 8)

VALVE LIFTER 3.82
0/005.490.4635 (u. 8)

VALVE LIFTER 3.84
0/005.490.4636 (u. 8)

VALVE LIFTER 4.02
0/005.490.4645 (u. 8)

VALVE LIFTER 3.78
0/005.490.4633 (u. 8)

6 VALVE LIFTER 4.10
0/005.490.4649 (u. 8)

VALVE LIFTER 3.98
0/005.490.4643 (u. 8)

VALVE LIFTER 3.80
0/005.490.4634 (u. 8)

VALVE LIFTER 3.76
0/005.490.4632 (u. 8)

VALVE LIFTER 3.96
0/005.490.4642 (u. 8)

VALVE LIFTER 4.16
0/005.490.4652 (u. 8)

VALVE LIFTER 4.14
0/005.490.4651 (u. 8)

VALVE LIFTER 3.94
0/005.490.4641 (u. 8)

VALVE LIFTER 4.20
0/005.490.4654 (u. 8)

VALVE LIFTER 4.18
0/005.490.4653 (u. 8)

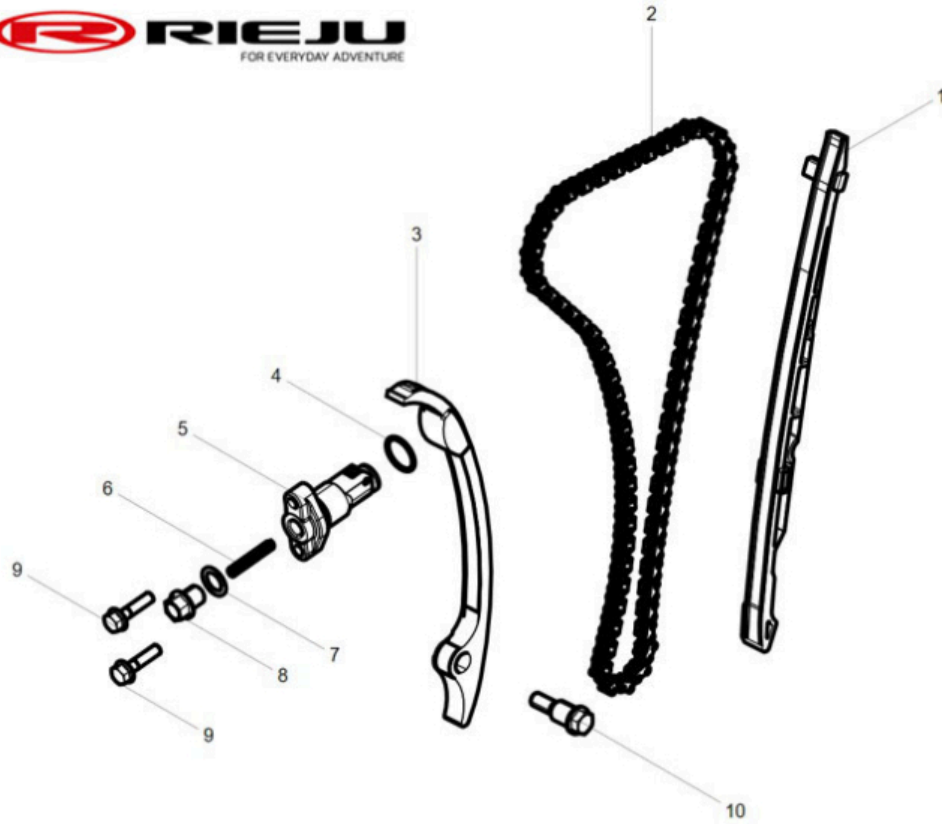
VALVE LIFTER 3.88
0/005.490.4638 (u. 8)

VALVE LIFTER 3.62
0/005.490.4625 (u. 8)

VALVE LIFTER 4.12
0/005.490.4650 (u. 8)

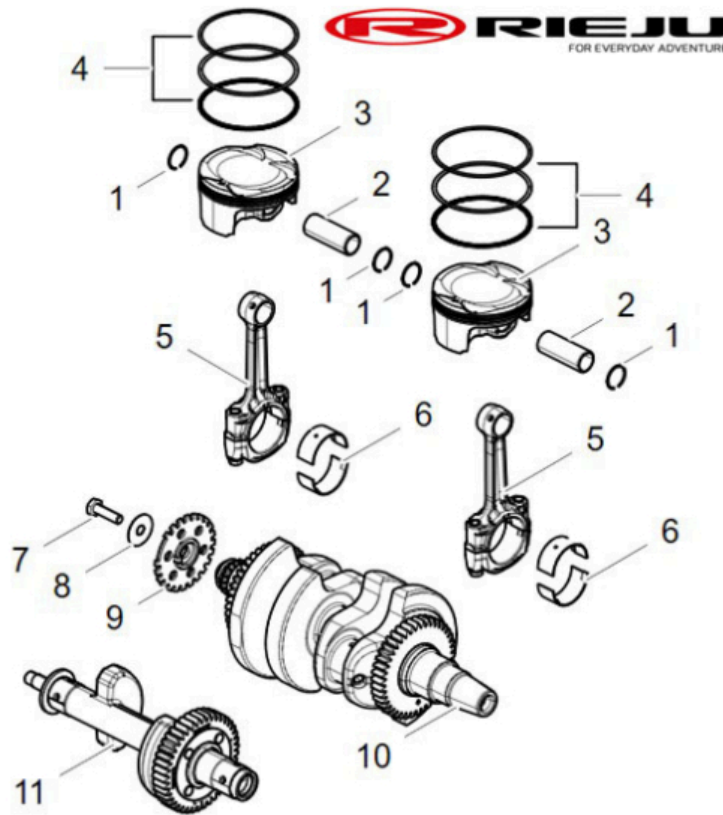
	VALVE LIFTER 4.06 0/005.490.4647 (u. 8)
	VALVE LIFTER 3.66 0/005.490.4627 (u. 8)
	VALVE LIFTER 3.74 0/005.490.4631 (u. 8)
7	PUNCH HEEL VALVE 0/000.300.4619 (u. 8)
8	INTAKE ROCKER SHAFT 0/000.890.4603 (u. 16)
9	SPRING 0/000.470.4616 (u. 8)
10	VALVE SPRING SEAT 0/000.890.4604 (u. 8)
11	INTAKE CHAIN WHEEL 0/000.640.4613 (u. 4)
12	EXHAUST CHAIN WHEEL 0/000.640.4614 (u. 4)
13	INTAKE CAMSHAFT COMPONENTS 0/005.010.4603 (u. 1)
14	EXHAUST CAMSHAFT COMPONENTS 0/005.010.4604 (u. 1)
15	STOPPER 0/000.410.4626 (u. 4)

DISTRIBUTION CHAIN ASSEMBLY



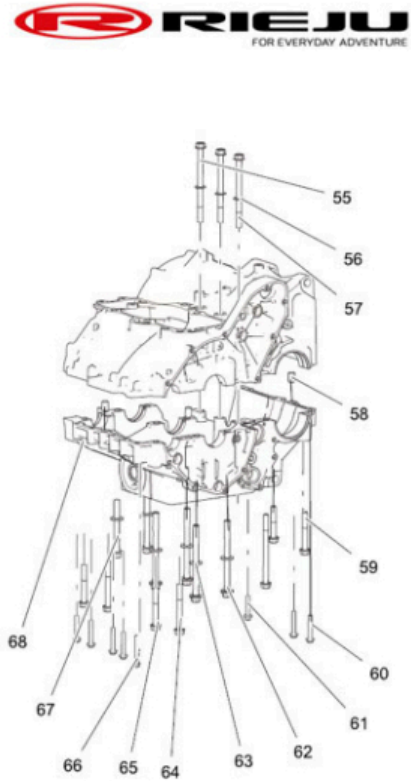
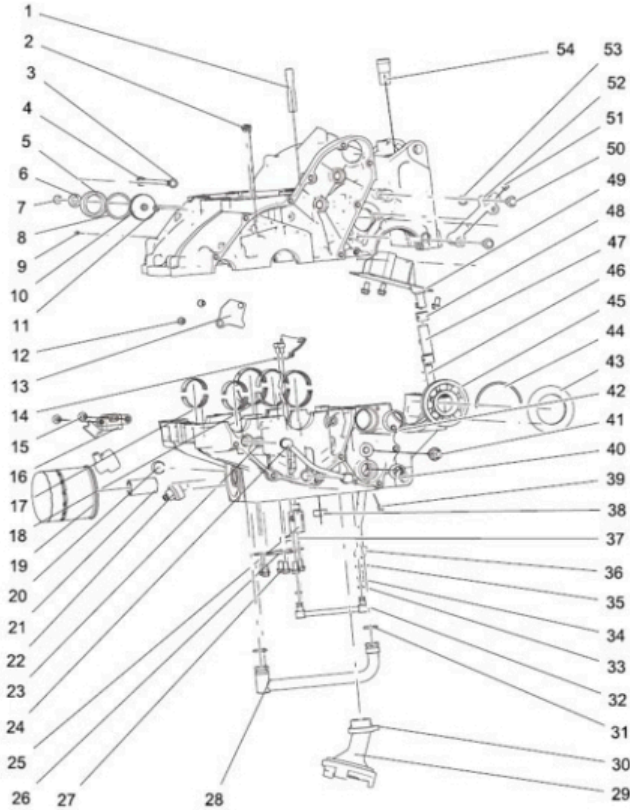
1	VICE GUIDE CHAIN PLATE 0/000.710.4604 (u. 1)
2	TIMING CHAIN 0/001.050.4605 (u. 1)
3	LEADING CHAIN PLATE COMPONENT 0/000.710.4603 (u. 1)
4	O-RING2075 18.77x1.78 0/000.490.4652 (u. 1)
5	TENSIONER ASSY 0/000.380.4603 (u. 1)
6	PLUNGER SPRING 0/000.470.4617 (u. 1)
7	SPACER 12.2x18x1 0/000.480.4649 (u. 1)
8	SCREW PLUG 0/000.460.46147 (u. 1)
9	SCREW M6x25 0/000.460.46089 (u. 2)
10	LEADING CHAIN PLATE BOLT 0/000.460.46148 (u. 1)

PISTON - CONNECTING ROD - CRANKSHAFT ASSEMBLY



1	RETAINING RING, PISTON PIN 0/000.300.4624 (u. 4)
2	PIN, PISTON 0/000.190.4620 (u. 2)
3	PISTON 0/005.711.4602 (u. 2)
4	PISTON RING ASM 0/000.300.4623 (u. 2)
5	CONNECTING ROD COMPONENT 0/005.380.4603 (u. 2)
6	BEARING SHELL (BLACK) 0/000.960.4626 (u. 4)
	BEARING SHELL (BROWN) 0/000.960.4625 (u. 4)
	BEARING SHELL (BLUE) 0/000.960.4627 (u. 4)
7	BOLT FOR REAMING HOLE M8×28 0/000.460.46140 (u. 1)
8	WASHER 8×30×1.5 0/000.440.46034 (u. 1)
9	CRANKSHAFT SPEED TRIGGER PLATE 0/005.400.4613 (u. 1)
10	THE CRANKSHAFT COMPONENTS 0/005.380.4604 (u. 1)
11	BALANCING SHAFT COMPONENTS 0/000.190.4621 (u. 1)

CRANKCASE ASSEMBLY

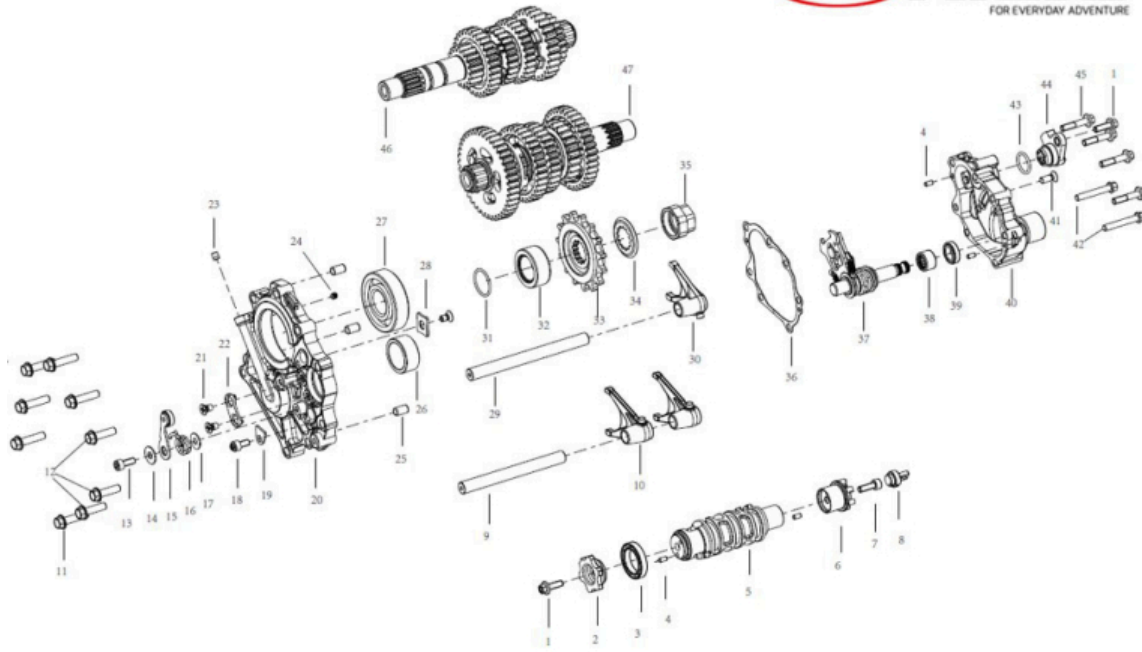


1	DOUBLE END STUD M10 0/000.460.46149 (u. 1)
2	FUEL INJECTION NOZZLE 0/005.991.4601 (u. 2)
3	O-RING 8x1.8 0/000.490.4676 (u. 1)
4	INNER OIL PIPE ASSEMBLY 0/000.290.4653 (u. 1)
6	AXLE SLEEVE PRESSING PLATE 0/000.220.4626 (u. 1)
7	SCREW M6x14 0/000.460.46087 (u. 1)
8	O-RING 30x2.65 0/000.490.4677 (u. 1)
9	DOWEL PIN 4x8 0/000.240.4619 (u. 1)
10	UPPER TANK OIL PLUG 0/000.410.4630 (u. 1)
11	O-RING 4.87x1.8 0/000.490.4675 (u. 1)
12	HEXAGON SOCKET HEEAD CAP SREW M5x8 0/000.460.46174 (u. 4)
13	RESPIRATOR BAFFLE 0/000.220.4625 (u. 1)
14	PARTITION PLATE AS-OIL CHAMBER 0/000.480.4645 (u. 1)
15	BOLT M5x12 0/000.460.46165 (u. 2)
16	TRIGGER COMPONENT 0/001.010.4614 (u. 1)

	BALANCE SHAFT BEARING BUSH,BLACK 0/000.960.4623 (u. 4)
17	BALANCE SHAFT BEARING BUSH,BLUE 0/000.960.4624 (u. 4)
	BALANCE SHAFT BEARING BUSH,BROWN 0/000.960.4622 (u. 4)
	CRANKSHAFT BEARING BUSH,BLUE 0/000.960.4621 (u. 6)
18	CRANKSHAFT BEARING BUSH,BLACK 0/000.960.4620 (u. 6)
	CRANKSHAFT BEARING BUSH,BROWN 0/000.960.4619 (u. 6)
19	OIL FINE FILTER 0/001.070.4608 (u. 1)
20	OIL FINE FILTER ADAPTER 0/001.070.4606 (u. 1)
21	PLUG 3/8 0/000.410.4629 (u. 1)
22	OIL PRESSURE LOW PRESSURE ALARM 0/001.010.4615 (u. 1)
23	O-RING 10x2 0/000.490.4642 (u. 2)
24	TUBING ASSEMBLY ? 0/000.290.4657 (u. 1)
25	RELISF VALE ASSEMBLY 0/000.640.4616 (u. 1)
26	LOWER BOX COVER 0/000.410.4631 (u. 1)
27	BOLT M6x10 0/000.460.46166 (u. 10)
28	GUIDE TUBE ASSEMBLY 0/000.290.4658 (u. 1)
29	PRIMARY OIL FILTER ASSEMBLY 0/001.070.4607 (u. 1)
30	SEALING RING 0/000.300.4626 (u. 1)
31	O-RING 14x2.5 0/000.490.4669 (u. 2)
32	TUBING ASSEMBLY I 0/000.290.4656 (u. 1)
33	O-RING 5x2 0/000.490.4656 (u. 2)
34	SCREW M6x8 0/000.460.46175 (u. 1)
35	TUBING ASSEMBLY I PRESSING PLATE 0/000.980.4664 (u. 1)
36	SHOCK ABSORBER 0/000.480.4644 (u. 1)
37	BLOCKING BLOCK 2 0/000.410.4633 (u. 1)
38	BLOCKING BLOCK 1 0/000.410.4632 (u. 1)
39	HEXAGON SOCKET FLAT END FASTENING SCREW M6x8 0/000.460.46181 (u. 1)
40	ROLLING 13x19x12 0/000.960.4628 (u. 1)

41	SPRING LOCATING PIN 0/000.470.4618 (u. 1)
42	NEEDLE BEARING HK3013 0/000.960.4631 (u. 1)
43	OUTPUT SHAFT OIL SEAL 0/000.300.4621 (u. 1)
44	OUTPUT SHAFT BEARING LOCATING RING 0/000.300.4620 (u. 1)
45	OUTPUT SHAFT BEARING 25×62×17 0/000.960.4618 (u. 1)
46	OIL RETURN PIPE 0/000.290.4655 (u. 1)
47	RUBBER TUBE 9×12×38 0/000.290.4654 (u. 1)
48	CLAMP 0/000.680.4629 (u. 2)
49	RESPIRATOR WELDING SUBASSEMBLY 0/000.640.4615 (u. 1)
50	BOLT M6×22 0/000.460.46169 (u. 2)
51	PLUG 0/000.410.4628 (u. 1)
52	OIL OUTER PIPE 0/000.290.4652 (u. 1)
53	O-RING 9×1.9 0/000.490.4657 (u. 2)
54	BREATHER TUBE 0/000.290.4651 (u. 1)
55	BOLT M8×120 0/000.460.46153 (u. 1)
56	CARRIER RING 8 0/000.440.46031 (u. 3)
57	BOLT M8×110 0/000.460.46154 (u. 3)
58	DOWEL PIN 10×14 0/000.240.4613 (u. 3)
59	BOLT M8×50 0/000.460.46155 (u. 1)
60	BOLT M6×38 0/000.460.46170 (u. 6)
61	SCREW M6×32 0/000.460.46091 (u. 1)
62	BOLT M9×113 0/000.460.46150 (u. 4)
63	CARRIER RING 9 0/000.440.46032 (u. 6)
64	SCREW M8×75 0/000.460.46123 (u. 2)
65	BOLT M8×60 0/000.460.46172 (u. 3)
66	BOLT M6×45 0/000.460.46171 (u. 1)
67	BOLT M9×83 0/000.460.46152 (u. 2)
68	BOX CLOSING MACHINING ASSEMBLY 0/005.700.4602 (u. 1)

GEAR SHIFT ASSEMBLY

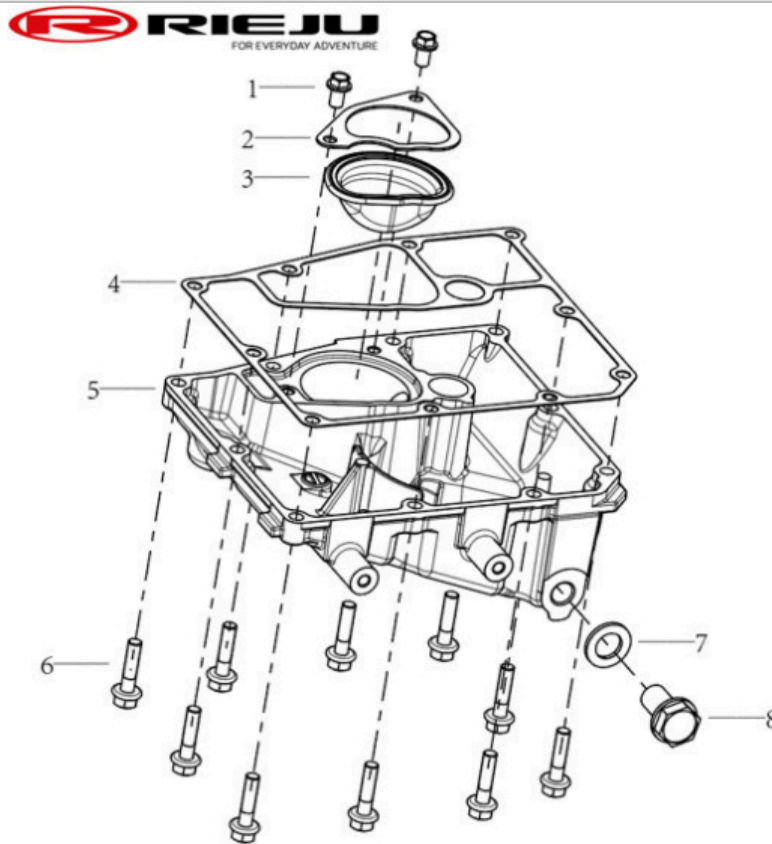


1	BOLT M6×18 0/000.460.46168 (u. 2)
2	CENTER SHIFT DURM 0/005.090.4603 (u. 1)
3	BERING 61805/P6/C3 0/000.960.4630 (u. 1)
4	CYLINDRICAL PIN 4×8 0/000.240.4616 (u. 4)
5	DRUM GEARSHIFT 0/005.090.4604 (u. 1)
6	WHEEL 0/005.090.4605 (u. 1)
7	SCREW M6×18 0/000.460.46178 (u. 1)
8	FILE DIAL BLOCK 0/000.240.4615 (u. 1)
9	SHAFT,GEAR SHIFT 0/000.190.4623 (u. 1)
10	DRIVEN SHAFT FORK 0/005.330.4604 (u. 2)
11	BOLT M7×30 0/000.460.46160 (u. 6)
12	BOLT M7×26 0/000.460.46161 (u. 3)
13	BOLT M6×15 0/000.460.46176 (u. 1)
14	SLEEVE 0/000.480.4646 (u. 1)
15	SHIFT-SHIFT POSITIONING ROCKER ARM ASSEMBLY 0/005.560.4601 (u. 1)
16	TORSIONAL SPRING 0/000.470.4622 (u. 1)
17	WASHER 0/000.440.46038 (u. 1)

18	SCREW M6x12 0/000.460.46101 (u. 1)
19	BAFFLE 0/005.490.4655 (u. 1)
20	CHANGE ROOM COVER 0/000.350.4624 (u. 1)
21	SCREW M6x10 0/000.460.46173 (u. 3)
22	BAFFLE 0/000.980.4662 (u. 1)
23	PLUG 0/000.410.4627 (u. 1)
24	STOPPER 0/000.410.4639 (u. 1)
25	PARALLEL PIN 0/000.240.4618 (u. 3)
26	SLEEVE 0/000.480.4643 (u. 1)
27	BERING 62x25x17 0/000.960.4629 (u. 1)
28	BAFFLE 0/000.980.4661 (u. 1)
29	SHAFT SHIFT FORK 0/000.190.4622 (u. 1)
30	FORK,MAIN AXLE 0/005.330.4605 (u. 1)
31	O_RING 0/000.490.4666 (u. 1)
32	COLLAR 0/000.480.4648 (u. 1)
33	OUTPUT SPROCKET COMPONENTS 0/005.400.4616 (u. 1)
34	WASHER 0/000.440.46037 (u. 1)
35	NUT 0/000.340.46033 (u. 1)
36	SEAL GASKET 0/000.490.4664 (u. 1)
37	SHAFT, GEAR SHIFT 0/005.010.4605 (u. 1)
38	ROLLING 13x19x12 0/000.960.4628 (u. 1)
39	OIL SEAL 0/000.300.4625 (u. 1)
40	VARIABLE SHAFT COVER 0/000.350.4623 (u. 1)
41	SCREW M6x16 0/000.460.46098 (u. 1)
42	HEXAGON SOCKET HEAD SCREW M6x40 0/000.460.46076 (u. 2)
43	O_RING 18x24 0/000.490.4667 (u. 1)
44	SHIFT SENOR 0/001.010.4616 (u. 1)
45	INTERNAL HEXAGONAL SCREW M6x30 0/000.460.46075 (u. 4)

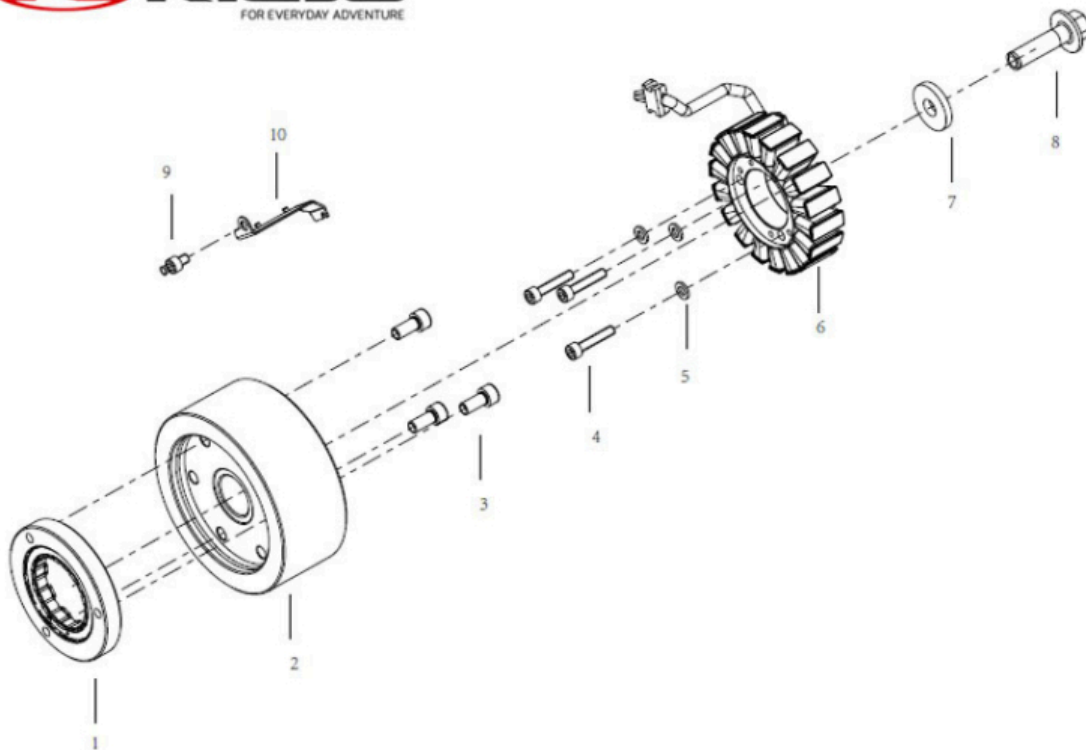
46	MAIN SHAFT UNIT 0/005.400.4614 (u. 1)
47	DRIVE AXLE ASSY 0/005.400.4615 (u. 1)

OIL PAN



1	BOLT M6x10 0/000.460.46166 (u. 2)
2	PRESSING PLATE OF OIL PRIMARY STRAINER 0/000.220.4624 (u. 1)
3	OIL PRIMARY STRAINER 0/001.070.4605 (u. 1)
4	OIL PAN GASKET 0/000.490.4653 (u. 1)
5	OIL PAN 0/000.350.4620 (u. 1)
6	SCREW M6x25 0/000.460.46089 (u. 10)
7	ABLASSSCHRAUBE GASKET 0/000.490.4654 (u. 1)
8	ABLASSSCHRAUBE M12x22 0/000.460.46151 (u. 1)

CURRENT GENERATION



1 OVERRUNNING CLUTCH ASSY
0/000.980.4663 (u. 1)

2 FLY WHEEL ASSY
0/005.820.4603 (u. 1)

3 SCREW M8×18
0/000.460.46180 (u. 3)

4 SCREW M6×30
0/000.460.46179 (u. 3)

5 GASKET Ø6
0/000.490.4609 (u. 3)

6 COIL ASSY
0/005.820.4604 (u. 1)

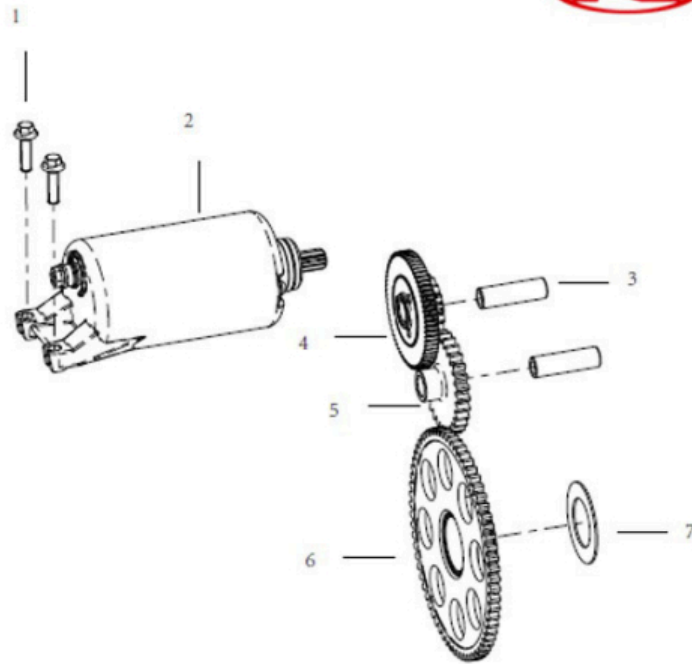
7 WASHER 12
0/000.440.46041 (u. 1)

8 BOLT M12×45
0/000.460.46164 (u. 1)

9 SCREW M6×8
0/000.460.46175 (u. 1)

10 PLATE
0/000.980.4666 (u. 1)

ELECTRIC START



1 BOLT M6×22
0/000.460.46169 (u. 2)

2 STARTER MOTOR
0/005.480.4602 (u. 1)

3 INTERMEDIATE GEAR SHAFT
0/000.190.4624 (u. 2)

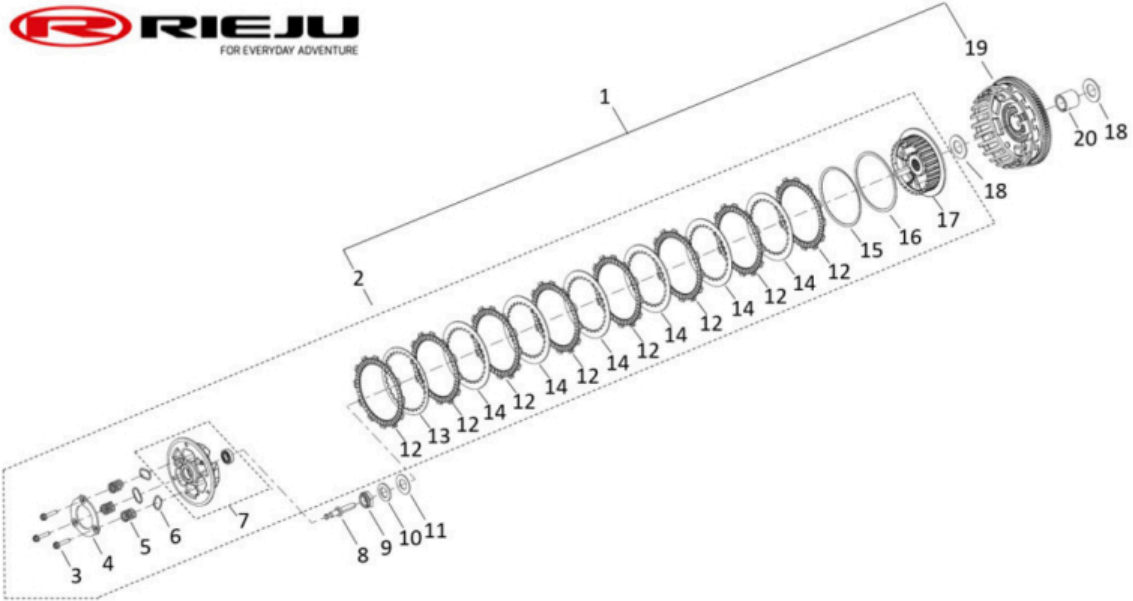
4 DUAL-GEAR
0/005.400.4619 (u. 1)

5 INTERMEDIATE GEAR 1
0/005.400.4617 (u. 1)

6 START GEAR ASSY
0/005.400.4618 (u. 1)

7 WASHER
0/000.440.46040 (u. 1)

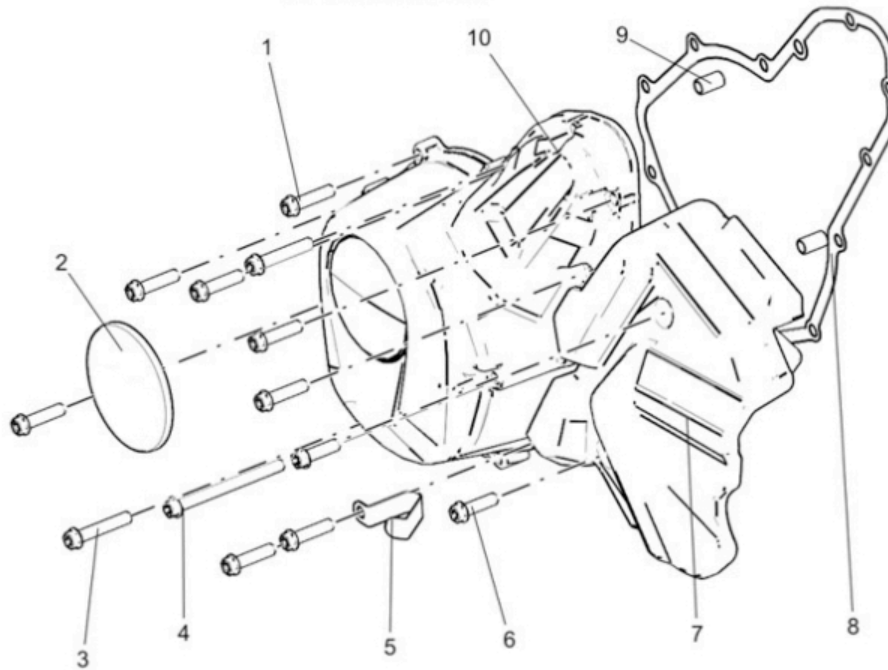
CLUTCH SYSTEM



1	CLUTCH ASSY 0/000.017.4607 (u. 1)
2	CLUTCH CENTER ASSY 0/000.017.4608 (u. 1)
3	BOLT 0/000.460.46159 (u. 3)
4	SPRING PRESSURE PLATE 0/000.220.4627 (u. 1)
5	SPRING 0/000.470.4620 (u. 3)
6	GASKET 0/000.490.4663 (u. 3)
7	CLUTCH PRESSURE PLATE COMPONENT 0/000.017.4610 (u. 1)
8	PULL PIN 0/000.240.4614 (u. 1)
9	NUT 0/000.340.46032 (u. 1)
10	SPRING GASKET 20 0/000.490.4665 (u. 1)
11	GASKET 20.4×39.8×1 0/000.490.4668 (u. 1)
12	FRICTION PLATE ? 0/005.350.4605 (u. 8)
13	CLUTCH PLATE ? 0/005.350.4606 (u. 1)
14	CLUTCH PLATE ? 0/005.350.4607 (u. 6)
15	SPRING GASKET 0/000.470.4621 (u. 1)
16	SPRING SEAT 0/000.440.46036 (u. 1)
17	CLUTCH CENTER 0/000.017.4611 (u. 1)
18	GASKET 25.5×47×2.5 0/000.440.46039 (u. 2)

19	CLUTCH HOUSING 0/000.017.4609 (u. 1)
20	CLUTCH SLEEVE 0/000.480.4647 (u. 1)

LEFT COVER ASSEMBLY



1 INTERNAL HEXAGONAL SCREW M6x25
0/000.460.46073 (u. 8)

2 LEFT COVER PLATE
0/000.410.4638 (u. 1)

3 BOLT M6x35
0/000.460.46157 (u. 2)

4 BOLT M6x72
0/000.460.46158 (u. 1)

5 CLAMP
0/000.680.4628 (u. 1)

6 HEXAGON TORX BOLT M6x22
0/000.460.46156 (u. 2)

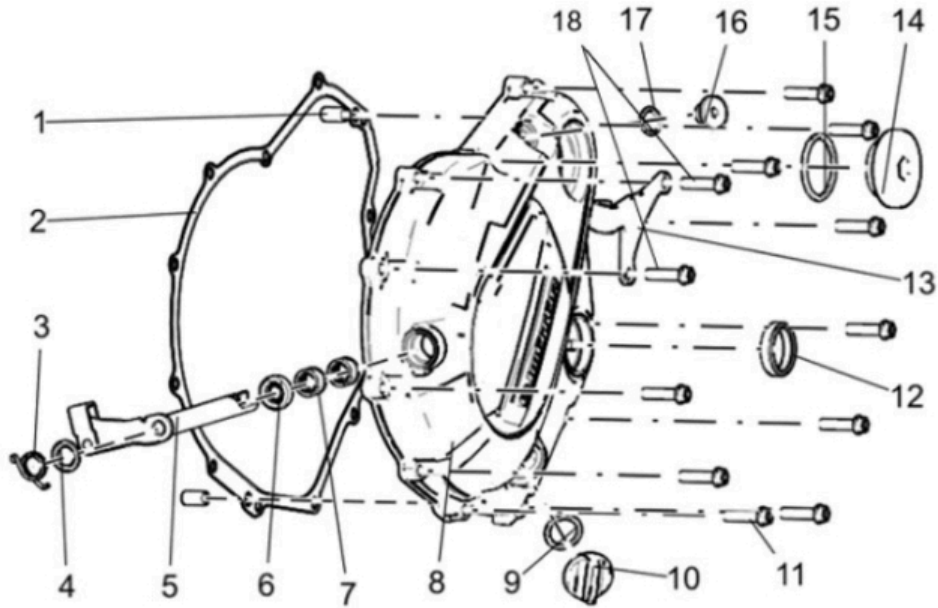
7 LEFT REAR COVER COMPONENT
0/000.350.4616 (u. 1)

8 LEFT COVER GASKET
0/000.490.4658 (u. 1)

9 LOCATING PIN
0/000.240.4612 (u. 2)

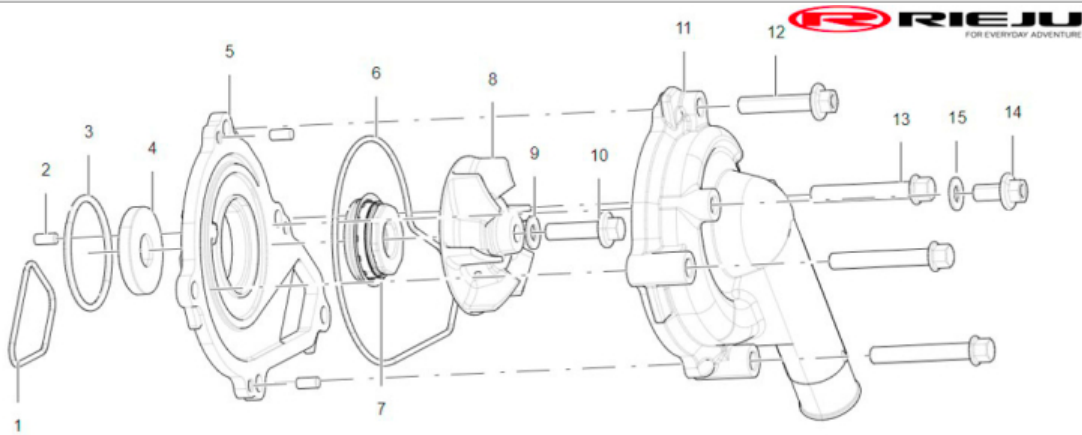
10 LEFT COVER
0/000.350.4621 (u. 1)

RIGHT COVER ASSEMBLY



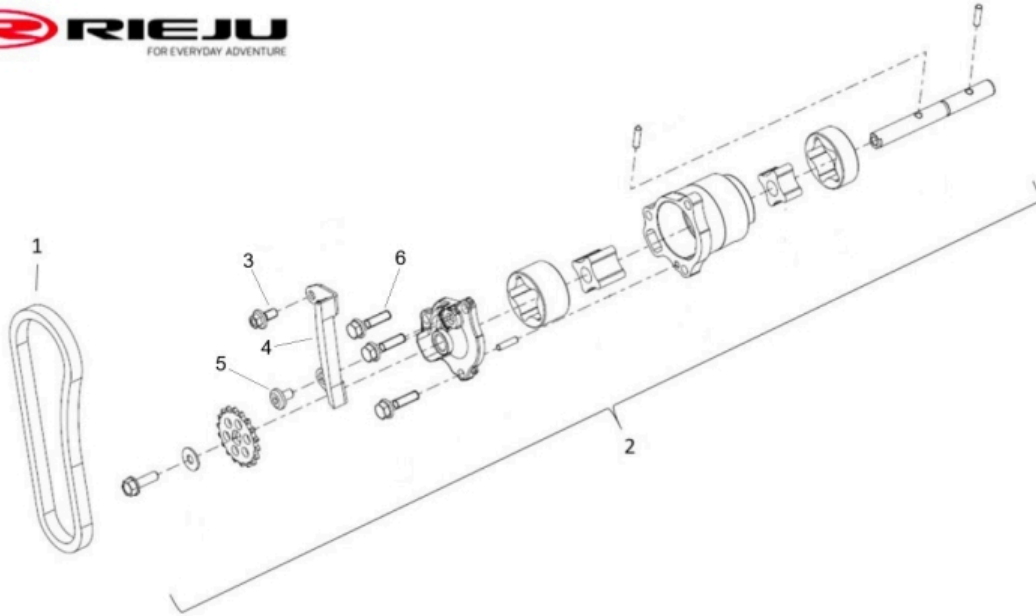
1	LOCATING PIN 0/000.240.4612 (u. 2)
2	RIGHT COVER GASKET 0/000.490.4659 (u. 1)
3	TORSION SPRING 0/000.470.4619 (u. 1)
4	SHIM 0/000.490.4660 (u. 1)
5	LEVER AS-CONTROL 0/005.430.4604 (u. 1)
6	OIL SEAL 20x12x5 0/000.300.4622 (u. 1)
7	CLUTCH ROD BEARING 0/000.960.4609 (u. 2)
8	RIGHT COVER 0/000.350.4622 (u. 1)
9	O-RING OF OIL FILLER HOLE COVER 0/000.490.4662 (u. 1)
10	OIL FILLING HOLE COVER 0/000.410.4637 (u. 1)
11	INTERNAL HEXAGONAL SCREW M6x25 0/000.460.46073 (u. 12)
12	OIL LEVEL MIRROR ASSEMBLY 0/000.410.4636 (u. 1)
13	CLUTCH CABLE BRACKET 0/000.980.4660 (u. 1)
14	ADJUSTING HOLE COVER 0/000.410.4635 (u. 1)
15	O-RING SEAL 35x3 0/000.490.4655 (u. 1)
16	OBSERVATION HOLE COVER 0/000.410.4634 (u. 1)

17	SIGHT GLASS COVER O-RING 0/000.490.4661 (u. 1)
18	HEXAGON SOCKET SCREW M6x28 0/000.460.46074 (u. 2)

COOLING SYSTEM


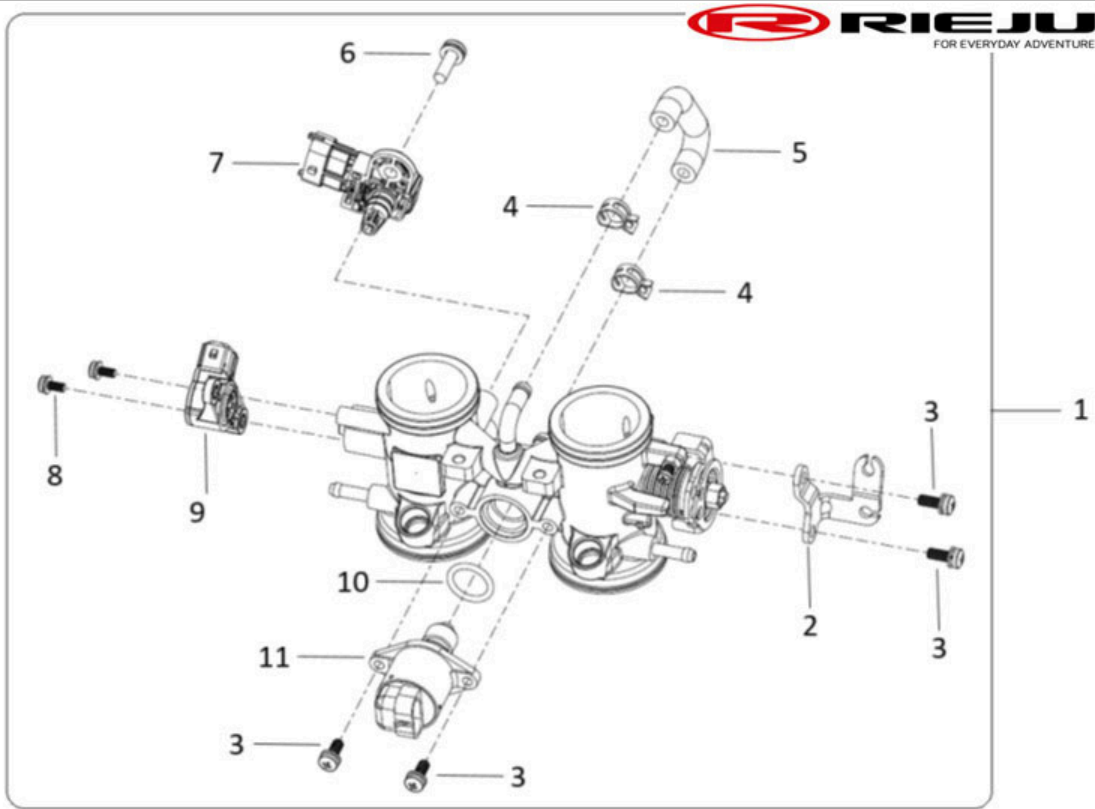
1	WATER PUMP BODY END FACE SEALING RING 0/000.490.4671 (u. 1)
2	DOWEL PIN 4x8 0/000.240.4619 (u. 3)
3	SEALING RING OF WATER PUMP BODY 0/000.490.4672 (u. 1)
4	OIL SEAL ASSEMBLY 32x12x5 0/000.300.4627 (u. 1)
5	WATER PUMP BODY 0/000.350.4626 (u. 1)
6	SEALING RING OF WATER PUMP COVER 0/000.490.4670 (u. 1)
7	WATER SEAL ASSEMBLY 0/000.490.4673 (u. 1)
8	IMPELLER 0/005.220.4601 (u. 1)
9	GASKET 6x11 0/000.440.46035 (u. 2)
10	BOLT M6x22 0/000.460.46169 (u. 1)
11	WATER PUMP COVER 0/000.350.4625 (u. 1)
12	INTERNAL HEXAGONAL SCREW M6x30 0/000.460.46075 (u. 2)
13	HEXAGON SOCKET HEAD SCREW M6x40 0/000.460.46076 (u. 3)
14	INTERNAL HEXAGONAL SCREW M6x12 0/000.460.46070 (u. 1)

OIL PUMP ASSY.

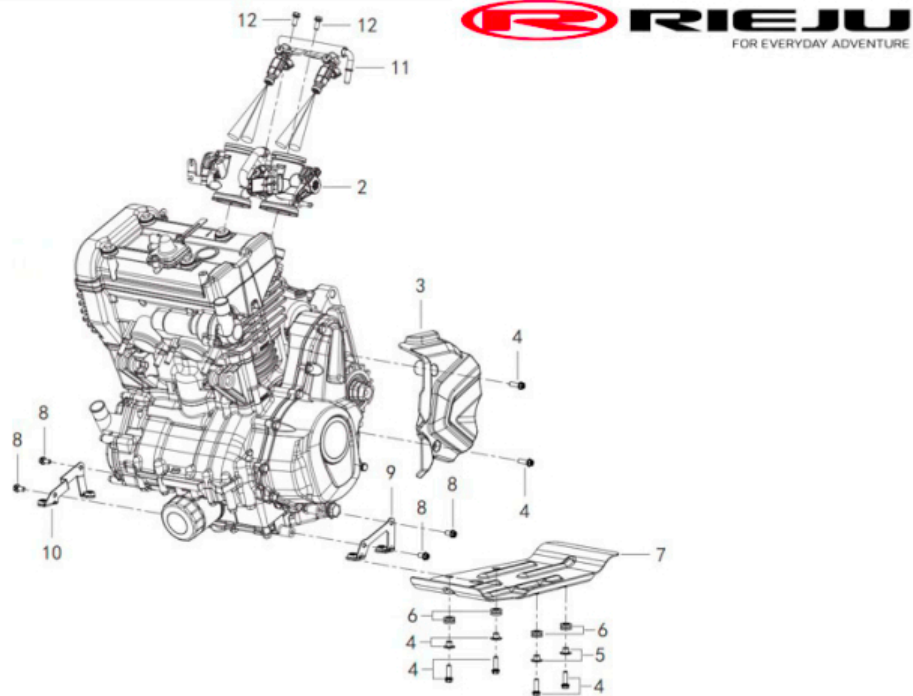


1	THE OIL PUMP CHAIN 0/001.050.4607 (u. 1)
2	THE OIL PUMP POINTS ASSEMBLY 0/000.860.4611 (u. 1)
3	BOLT M6x12 0/000.460.46167 (u. 1)
4	OIL PUMP CHAIN TENSIONER 0/000.380.4604 (u. 1)
5	SCREW M6x10 0/000.460.46162 (u. 1)
6	SCREW M6x25 0/000.460.46089 (u. 3)

THROTTLE BODY



1	MECHANICAL THROTTLE VALVE BODY 0/005.158.4604 (u. 1)
2	CABLE BRACKET 0/000.980.4665 (u. 1)
3	SCREW COMBINATION M5×14 0/000.460.46183 (u. 4)
4	CLAMP 0/000.680.4627 (u. 2)
5	HOSEPIPE 0/000.290.4659 (u. 1)
6	SCREW COMBINATION M6×20 0/000.460.46163 (u. 1)
7	TEMPERATURE AND PRESSURE SENSOR 0/001.010.4619 (u. 1)
8	SCREW COMBINATION M4×10 0/000.460.46182 (u. 2)
9	THROTTLE VALVE POSITION SENSOR 0/001.010.4620 (u. 1)
10	O-RING 0/000.490.4674 (u. 1)
11	STEPPER MOTOR 0/001.200.4612 (u. 1)

COMPLETE ENGINE


2	MECHANICAL THROTTLE VALVE BODY 0/005.158.4604 (u. 1)
3	LEFT REAR COVER COMPONENT 0/000.350.4616 (u. 1)
4	HEXAGON SOCKET SCREW M6x20 0/000.460.46072 (u. 6)
5	SPACER SLEEVE 0/000.480.4640 (u. 4)
6	SILENTBLOCK 0/000.360.4619 (u. 4)
7	ENGINE UNDERCOVER 0/000.220.4622 (u. 1)
8	INTERNAL HEXAGONAL SCREW M6x12 0/000.460.46070 (u. 4)
9	ENGINE UNDERCOVER LEFT INSTALLATION PLATE COMPONENT 0/000.980.4656 (u. 1)
10	ENGINE UNDERCOVER RIGHT INSTALLATION PLATE COMPONENT 0/000.980.4657 (u. 1)
11	FUEL INJECTOR ASSEMBLY 0/005.158.4605 (u. 1)
12	HEXAGONAL INTERNAL PLUM BLOSSOM BOLT M6 x 14 0/000.460.46129 (u. 2)